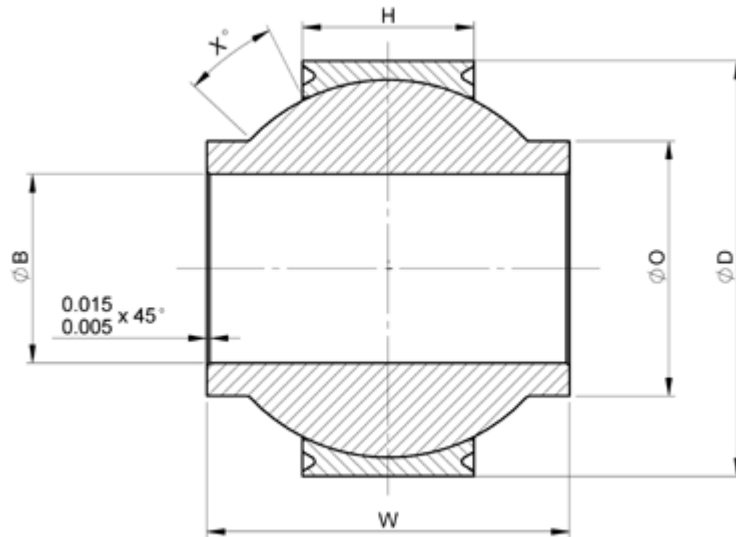


ABS0570 High Angle Series Grooved RBTWG--0570
 Menu

- P/N X-Ref
- Materials
- Clearance/Torque
- Staking Groove
- Limits & Fits
- Keyways



ABS Part No.	Rose Part No.	B	D	H	W	O	X°	Ball dia nom	Max static radial load lbf		Max static axial load lbf		Weight approx lbs
		+0 -.0005	+0 -.0005	+0.010 -0	+0 -.0024	+0.010 -0	min		Limit	Ultimate	Limit	Ultimate	
ABS0570-06A	RBTWG06DJ	.3750	.8114	.401	1.0236	.461	10	.687	10200	15300	1700	2550	.082
ABS0570-07A	RBTWG07DJ	.4375	.9364	.437	1.0236	.532	12	.781	12600	18900	2100	3150	.110
ABS0570-08A	RBTWG08DJ	.5000	.9989	.500	.9450	.602	10.33	.875	16200	24300	2700	4050	.172
ABS0570-08B	RBTWG08DK	.5000	.9989	.500	1.0630	.602	10.33	.875	16200	24300	2700	4050	.174
ABS0571-10A	RBTWG10DJ	.6250	1.1864	.562	1.0630	.742	12	1.062	22000	33000	3667	5500	.260
ABS0570-12A	RBTWG12DJ	.7500	1.3739	.625	1.2500	.883	14	1.250	28900	43350	4817	7225	.330
ABS0570-14A	RBTWG14DJ	.8750	1.6238	.750	1.0236	1.050	7	1.375	38200	57300	6367	9550	.440

Dimensions in inches


 Head Office UK Germany Contact Details France Italy Singapore USA