

NSA 8149 Female Series RFD--NSA

Menu

P/N X-Ref

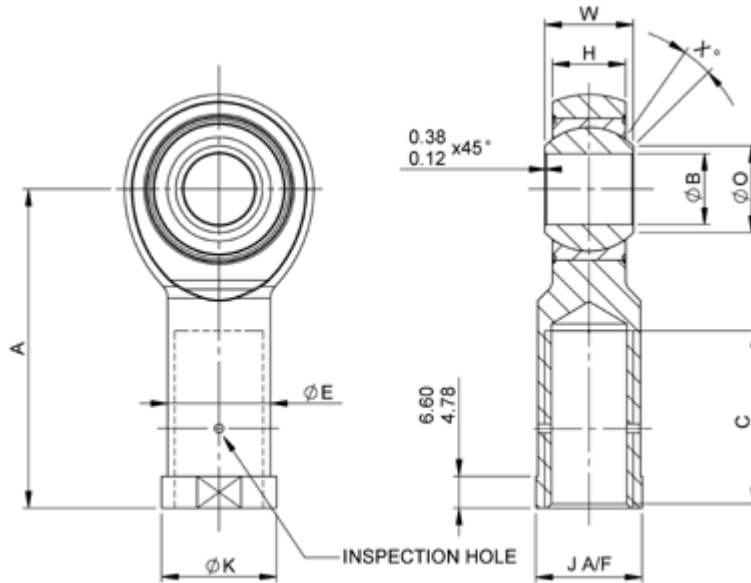
Materials

Clearance/Torque

Staking Groove

Limits & Fits

Keyways



Bore code	B	D	W	H	O	A	C	K	E	J	X°	Ball dia nom	Thread size UNJF-3A Mil-S-8879	Dynamic Radial Load daN	Weigh max g
	+0 -0.0127	+0.254 -0.254	+0 -0.127	+0.127 -0.127	min	+0.254 -0.254	+1.524 -0.762	+0.254 -0.254	+0.381 -0.381	+0.254 -0.254	min				
03	4.826	20.472	11.100	8.560	7.66	34.925	19.050	12.700	10.719	11.100	16	13.487	.3125-24	1555	27
04	6.350	20.472	11.100	8.560	7.66	37.312	19.050	12.700	10.719	11.100	16	13.487	.3125-24	1555	27
05	7.937	22.860	11.100	8.306	10.18	34.925	19.050	12.700	10.719	11.100	15	15.062	.3125-24	1640	31
06	9.525	26.035	12.700	10.566	11.96	41.275	23.799	15.875	14.402	14.783	9	17.449	.3750-24	2616	49
07	11.112	29.210	14.275	11.481	13.77	46.024	26.975	17.449	15.494	15.585	11	19.837	.4375-20	3381	81
08	12.700	33.960	15.875	13.081	15.55	53.975	28.575	20.624	18.669	19.050	9	22.225	.5000-20	4448	127
10	15.875	38.735	19.050	14.656	19.09	66.675	38.100	25.400	21.844	22.225	12	26.975	.6250-18	6005	190
12	19.050	45.085	22.225	16.256	21.67	73.025	41.148	26.924	25.019	25.400	13	31.750	.7500-16	6007	231
14	22.225	51.435	22.225	19.431	26.94	85.725	47.625	30.150	28.194	28.575	6	34.925	.8750-14	10453	426
16	25.400	70.485	34.925	25.781	32.37	104.770	53.975	33.325	31.369	31.750	12	47.625	1.0000-12	19266	612
20	31.750	73.660	38.100	28.956	37.07	127.000	79.975	44.450	42.494	42.900	13	53.161	1.2500-12	28874	1406

Dimensions in millimetres



Head Office

UK

Germany

Contact Details

France

Italy

Singapore

USA