

Female Series RFD--UJ

[Menu](#)

[P/N X-Ref](#)

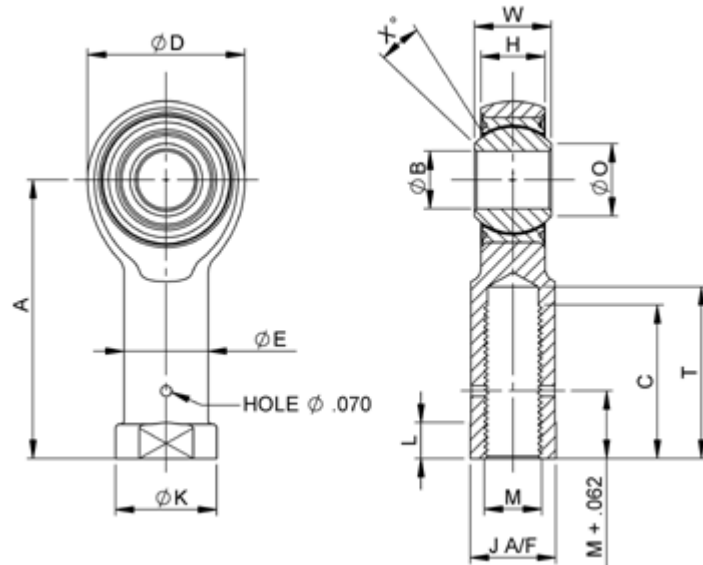
[Materials](#)

[Clearance/Torque](#)

[Staking Groove](#)

[Limits & Fits](#)

[Keyways](#)



Bore code	B	D	W	H	O	A	T	C	K	E	L	J	X°	Ball dia nom	Thread size UNJF-3B	Max Static Radial Load lb	Weight lb max
	+0.000 -0.005	+0.010 -0.010	+0.000 -0.002	+0.005 -0.005	min	+0.010 -0.010	max	min	+0.010 -0.010	+0.010 -0.010	+0.010 -0.062	+0.002 -0.010	min				
03	.1900	.806	.437	.337	.300	1.375	.875	.750	.500	.422	.188	.437	15	.531	.312-24	2360	.080
04	.2500	.806	.437	.337	.300	1.469	.875	.750	.500	.422	.188	.437	15	.531	.312-24	4860	.084
05	.3125	.900	.437	.327	.401	1.625	1.000	.875	.580	.485	.250	.500	14	.593	.375-24	7180	.102
06	.3750	1.025	.500	.416	.470	1.812	1.125	1.000	.660	.547	.250	.562	8	.687	.375-24	8550	.161
07	.4375	1.150	.562	.452	.540	2.000	1.250	1.125	.720	.610	.250	.625	10	.781	.437-20	12000	.212
08	.5000	1.227	.625	.515	.610	2.250	1.375	1.250	.800	.735	.250	.750	9	.875	.500-20	19500	.325
10	.6250	1.525	.750	.577	.750	2.500	1.500	1.375	1.020	.860	.375	.875	12	1.062	.625-18	21900	.481
12	.7500	1.775	.875	.640	.893	2.875	1.750	1.625	1.160	.985	.375	1.000	13	1.250	.750-16	29300	.673
14	.8750	2.025	.875	.765	1.000	3.375	2.062	1.875	1.300	1.110	.500	1.250	6	1.375	.875-14	34500	.959
16	1.0000	2.775	1.375	1.015	1.365	4.125	2.312	2.125	2.020	1.688	.563	1.750	12	1.937	1.250-12	80300	2.171

Dimensions in inches

This Bearing conforms dimensionally to Mil-B-81935



Head Office

[UK](#)

[Germany](#)

Contact Details

[France](#)

[Italy](#)

[Singapore](#)

[USA](#)