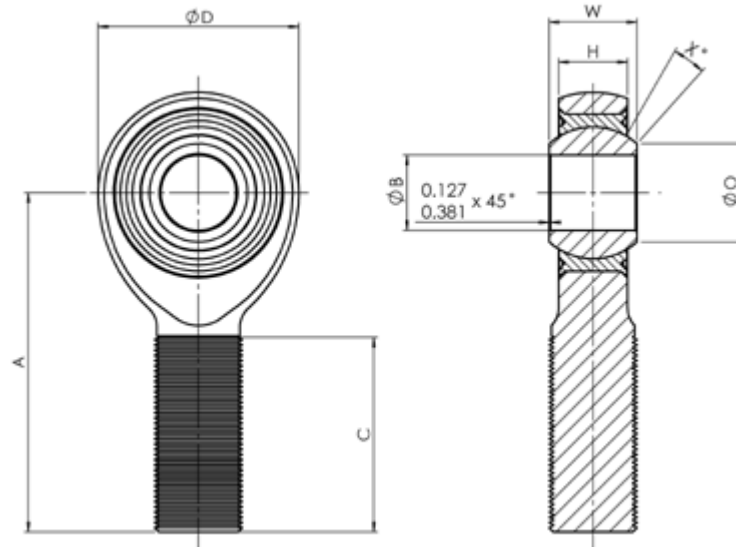


NSA 8143 Male Series RMD--NSA  
 Menu

- P/N X-Ref
- Materials
- Clearance/Torque
- Staking Groove
- Limits & Fits
- Keyways



| Bore code | B               | D                  | W              | H                  | O     | A                  | C                  | X°  | Ball dia nom | Thread size<br>UNJF-3A<br>Mil-S-8879 | Radial Static Limit Load daN | Alternate load daN | High Fatigue Load Strength daN | Axial Proof Load daN | Weigh max g |
|-----------|-----------------|--------------------|----------------|--------------------|-------|--------------------|--------------------|-----|--------------|--------------------------------------|------------------------------|--------------------|--------------------------------|----------------------|-------------|
|           | + 0<br>- 0.0127 | + 0.254<br>- 0.254 | + 0<br>- 0.127 | + 0.127<br>- 0.127 | min   | + 0.254<br>- 0.254 | + 1.524<br>- 0.762 | min |              |                                      |                              |                    |                                |                      |             |
| 03        | 4.826           | 20.472             | 11.100         | 8.560              | 7.66  | 39.675             | 25.400             | 15  | 13.487       | .3125-24                             | 1050                         | 654                | 654                            | 445                  | 27          |
| 04        | 6.350           | 20.472             | 11.100         | 8.560              | 7.66  | 39.675             | 25.400             | 15  | 13.487       | .3125-24                             | 2162                         | 1521               | 1059                           | 445                  | 27          |
| 05        | 7.937           | 22.860             | 11.100         | 8.306              | 10.18 | 47.625             | 26.975             | 14  | 15.062       | .3125-24                             | 3194                         | 1597               | 1232                           | 489                  | 34          |
| 051       | 7.937           | 22.860             | 11.100         | 8.306              | 10.18 | 57.655             | 37.000             | 14  | 15.062       | .3125-24                             | 3194                         | 1597               | 1232                           | 489                  | 34          |
| 06        | 9.525           | 26.035             | 12.700         | 10.566             | 11.96 | 49.225             | 31.750             | 8   | 17.449       | .3750-24                             | 3803                         | 2078               | 1588                           | 738                  | 50          |
| 061       | 9.525           | 26.035             | 12.700         | 10.566             | 11.96 | 59.475             | 42.000             | 8   | 17.449       | .3750-24                             | 3803                         | 2078               | 1588                           | 738                  | 50          |
| 07        | 11.112          | 29.210             | 14.275         | 11.481             | 13.77 | 53.975             | 34.925             | 10  | 19.837       | .4375-20                             | 5338                         | 2727               | 2135                           | 823                  | 68          |
| 08        | 12.700          | 33.960             | 15.875         | 13.081             | 15.55 | 61.925             | 38.100             | 9   | 22.225       | .5000-20                             | 8674                         | 3723               | 3416                           | 907                  | 113         |
| 081       | 12.700          | 33.960             | 15.875         | 13.081             | 15.55 | 77.825             | 54.000             | 9   | 22.225       | .5000-20                             | 8674                         | 3723               | 3416                           | 907                  | 128         |
| 10        | 15.875          | 38.735             | 19.050         | 14.675             | 19.09 | 66.675             | 41.275             | 12  | 26.975       | .6250-18                             | 9742                         | 4760               | 4083                           | 1081                 | 167         |
| 12        | 19.050          | 45.085             | 22.225         | 16.256             | 21.67 | 73.025             | 44.450             | 13  | 31.750       | .7500-16                             | 13033                        | 5872               | 5160                           | 1250                 | 263         |
| 14        | 22.225          | 51.435             | 22.225         | 19.431             | 26.94 | 85.725             | 47.625             | 6   | 34.925       | .8750-14                             | 15346                        | 7340               | 5827                           | 1476                 | 358         |
| 16        | 25.400          | 70.485             | 34.925         | 25.781             | 32.37 | 104.775            | 53.915             | 12  | 47.625       | 1.2500-12                            | 35719                        | 11832              | 13523                          | 1931                 | 1043        |

Dimensions in millimetres  
 Keyway in accordance with NAS559

**NMB** Head Office UK Germany France Italy Singapore USA  
 Contact Details