

Male Series RMD--UJ

[Menu](#)

[P/N X-Ref](#)

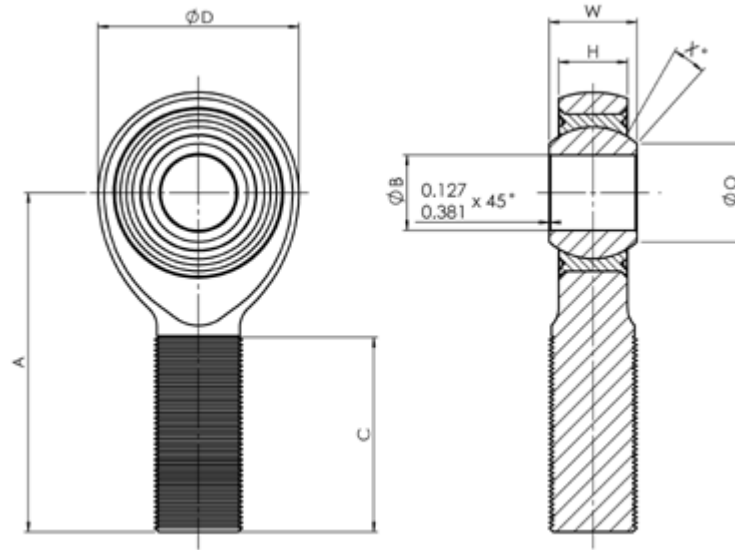
[Materials](#)

[Clearance/Torque](#)

[Staking Groove](#)

[Limits & Fits](#)

[Keyways](#)



Bore code	B	D	W	H	O	A	C	X°	Ball dia nom	Thread size UNJF-3A	Max Static Radial Load lb	Weight approx lb
	+ .0000 - .0005	+ .010 - .010	+ .000 - .002	+ .005 - .005	min	+ .010 - .010	+ .031 - .031	min				
03	.1900	.806	.437	.337	.300	1.562	.968	15	.531	.312-24	2360	.072
04	.2500	.806	.437	.337	.300	1.562	.968	15	.531	.312-24	4860	.072
05	.3125	.900	.437	.327	.401	1.875	1.187	14	.593	.312-24	7180	.087
06	.3750	1.025	.500	.416	.470	1.938	1.187	8	.687	.375-24	8550	.136
07	.4375	1.150	.562	.452	.540	2.125	1.281	10	.781	.437-20	12000	.183
08	.5000	1.337	.625	.515	.610	2.438	1.468	9	.875	.500-20	19500	.278
10	.6250	1.525	.750	.577	.750	2.625	1.562	12	1.062	.625-18	21900	.424
12	.7500	1.775	.875	.640	.893	2.875	1.687	13	1.250	.750-16	29300	.639
14	.8750	2.025	.875	.765	1.000	3.375	2.000	6	1.375	.875-14	34500	.963
16	1.000	2.775	1.375	1.015	1.365	4.125	2.343	12	1.937	1.250-12	80300	2.546

Dimensions in inches

**This Bearing conforms dimensionally to Mil-B-81935**



Head Office

[UK](#)

[Germany](#)

Contact Details

[France](#)

[Italy](#)

[Singapore](#)

[USA](#)