

NSA 8161 Male Series with Keyway RMDK--NSA2

Menu

P/N X-Ref

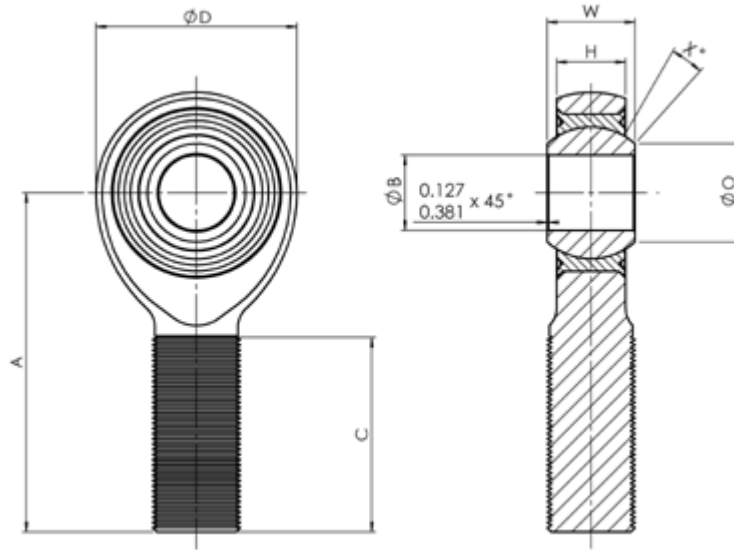
Materials

Clearance/Torque

Staking Groove

Limits & Fits

Keyways



NSA P/N NSA8161-		Rose	B	D	W	H	O	A	C	X°	Ball dia nom	Thread size UNJF-3A Mil-S-8879	Radial Static Limit Load daN	Weight g max
R/H Thread	L/H Thread	Bore code	+ 0 - 0.012	+ 0.25 - 0.25	+ 0 - 0.12	+ 0.12 - 0.12	min			min				
070	071	03	4.826	20.47	11.10	8.56	7.66	39.7	23.4	17	13.487	.3125-24	2350	30
072	073	04	6.350	20.47	11.10	8.56	7.66	39.7	23.4	17	13.487	.3125-24	2350	30
074	075	05	7.938	22.86	11.10	8.30	10.18	47.7	25.0	14	15.062	.3125-24	2350	36
076	077	06	9.526	26.00	12.70	10.56	11.96	49.2	29.7	10	17.449	.3750-24	3900	52
078	079	07	11.112	29.20	14.27	11.48	13.77	54.0	32.4	12	19.837	.4375-20	5350	72

Dimensions in millimetres

Rose Part numbers

Right hand thread RMDK--NSA2

Left hand thread RMLDK--NSA2



Head
Office

UK

Germany

Contact Details

France

Italy

Singapore

USA