

NSA 8140 Male Series RMY--NSA

Menu

P/N X-Ref

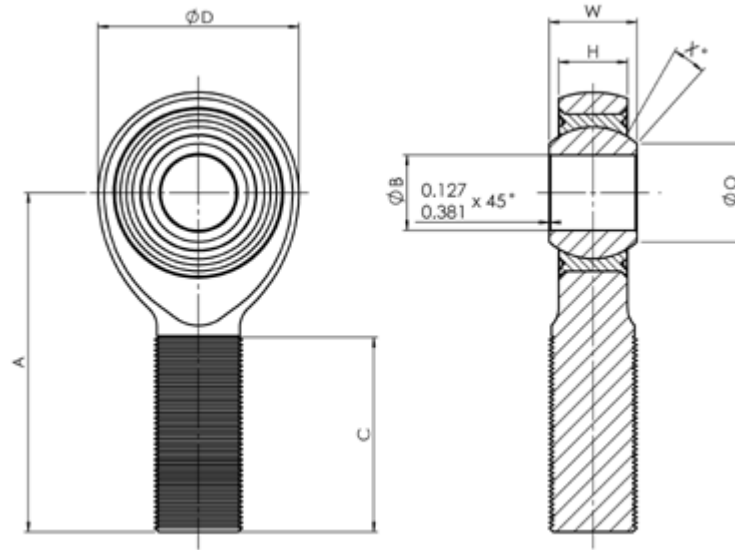
Materials

Clearance/Torque

Staking Groove

Limits & Fits

Keyways



Bore code	B	D	W	H	O	A	C	X°	Ball dia nom	Thread size UNJF-3A Mil-S-8879	Radial Static Limit Load daN	Bearing Dynamic Load daN	Weight g max
	+ 0 - 0.0127	+ 0.254 - 0.254	+ 0 - 0.127	+ 0.127 - 0.127	min	+ 0.254 - 0.254	+ 1.524 - 0.762	min					
03	4.826	20.500	11.100	8.560	7.66	39.675	25.400	17	13.487	.3125-24	2629	1446	27
04	6.350	20.500	11.100	8.560	7.66	39.675	25.400	17	13.487	.3125-24	2629	1446	27
05	7.938	22.900	11.100	8.306	10.18	47.625	26.975	14	15.080	.3125-24	2656	1601	31
06	9.525	26.000	12.700	10.566	11.96	49.225	31.750	10	17.463	.3750-24	3848	2424	50
07	11.113	29.000	14.275	11.481	13.77	53.975	34.925	12	19.837	.4375-20	4982	3381	68
08	12.700	34.000	15.875	13.081	15.55	61.925	38.100	9	22.225	.5000-20	7517	4448	113
10	15.875	38.700	19.050	14.656	19.09	66.675	41.275	12	26.975	.6250-18	9519	6005	168
12	19.050	45.100	22.225	15.256	22.67	73.025	44.450	14	31.750	.7500-16	13345	8007	265
14	22.225	51.400	22.225	19.431	26.94	85.725	47.625	7	34.925	.8750-14	17793	10453	358
16	25.400	70.500	34.925	25.781	32.37	104.775	53.975	14	47.625	1.2500-12	35586	18903	1043

Dimensions in millimetres

Note: These rod ends conform to the NSA specification, but are not approved.



Head Office

UK

Germany

Contact Details

France

Italy

Singapore

USA