

NSA 8162 Male Series with Keyway RMYK--NSA2

Menu

P/N X-Ref

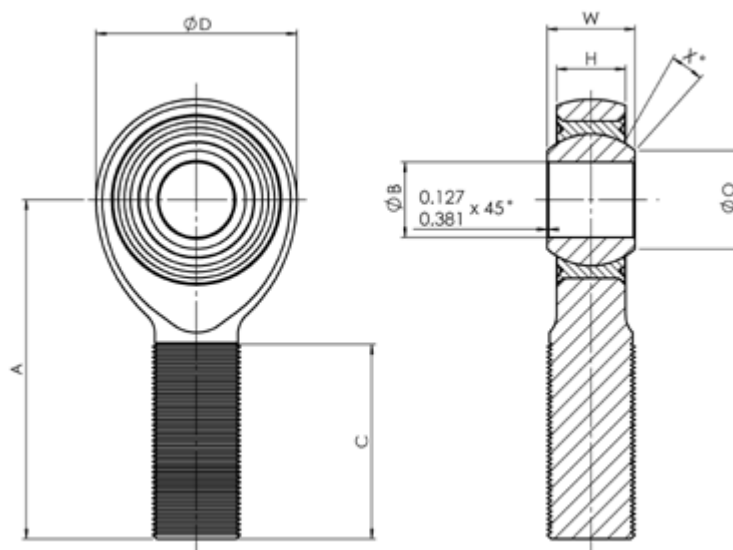
Materials

Clearance/Torque

Staking Groove

Limits & Fits

Keyways



NSA P/N NSA8162-		Rose Bore Code	B	D	W	H	O	A	C	X°	Ball dia nom	Thread size UNJF-3A Mil-S-8879	Radial Static Limit Load daN	Weight g max
R/H Thread	L/H Thread		+ 0 -0.012	+ 0.25 - 0.25	+ 0 - 0.12	+ 0.12 - 0.12	min			min				
090	091	03NSA2	4.826	20.47	11.100	8.56	7.66	39.70	23.400	17	13.487	.3125-24	2350	30
092	093	04NSA2	6.350	20.47	11.100	8.56	7.66	39.70	23.400	17	13.487	.3125-24	2350	30
094	095	05NSA2	7.938	22.86	11.100	8.30	10.18	47.70	25.000	14	15.062	.3125-24	2350	36
096	097	06NSA2	9.525	26.00	12.700	10.56	11.96	49.20	29.700	10	17.449	.3750-24	3900	52
098	099	07NSA2	11.113	29.20	14.270	11.48	13.77	54.00	32.400	12	19.837	.4375-20	5550	72
088	087	05NSA3	7.938	22.86	11.100	8.30	10.18	52.70	30.000	14	15.062	.3125-24	2350	38
086	086	06NSA3	9.525	26.00	12.700	10.56	11.96	64.00	45.000	10	17.449	.5625-18	3900	80
084	085	04NSA3	6.350	20.50	11.100	8.56	7.66	46.00	29.000	17	13.487	.3750-24	2350	37
080	081	05NSA4	7.938	22.85	11.100	8.30	10.18	49.00	29.000	14	15.062	.3750-24	2350	54

Dimensions in millimetres

Note: These rod ends conform to the NSA specification, but are not approved.



Head
Office

UK

Germany

Contact Details

France

Italy

Singapore

USA