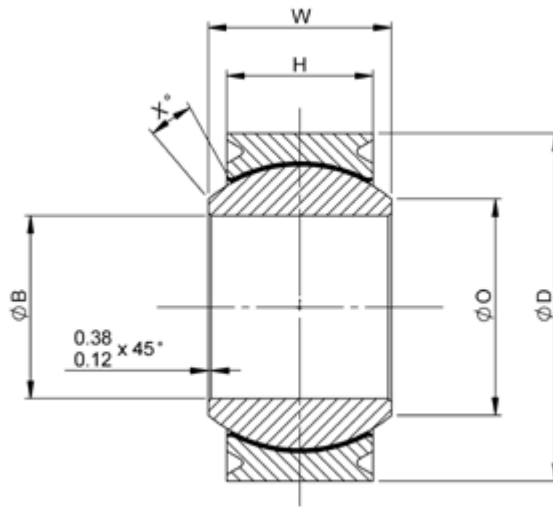


NSA 8136      Narrow Series Grooved      RNDG--NSA  
 Menu

- P/N X-Ref    Materials    Clearance/Torque    Staking Groove    Limits & Fits    Keyways



Bore code	B	D	H	W	O	X°	Ball dia nom	Max static load daN		Dynamic radial load daN	Weight g max
	+0 -0.0127	+0 -0.0127	+0.127 -0.127	+0 -0.051	min			Radial	Axial		
03	4.826	14.2875	5.537	7.137	7.44	10	11.100	1758	66	667	9
04	6.350	16.6675	6.350	8.712	9.24	10	12.700	2686	191	1032	9
05	7.937	19.0500	7.137	9.525	10.64	10	15.088	3892	311	1525	14
06	9.525	20.6375	7.925	10.312	12.07	9	15.875	4688	489	1868	18
07	11.113	23.0175	8.712	11.100	13.46	8	17.449	5871	622	2535	23
08	12.700	25.4000	9.906	12.700	15.24	8	19.837	7962	934	3514	32
09	14.288	27.7800	11.100	14.275	17.02	8	22.225	10319	1637	4581	41
10	15.875	30.1625	12.700	15.875	18.77	8	25.400	13576	2099	5960	54
12	19.050	36.5125	15.062	19.050	23.37	8	31.750	20639	3002	8763	95
14	22.225	39.6875	17.856	22.225	24.89	8	34.925	27668	4158	11609	123
16	25.400	44.4500	20.243	25.400	28.24	9	39.675	36564	5409	15168	177

Dimensions in millimetres

**NMB** Head Office    UK    Germany    Contact Details    France    Italy    Singapore    USA