

NSA 8138 High Angle Series Chamfered RSTA--NSA

Menu

P/N X-Ref

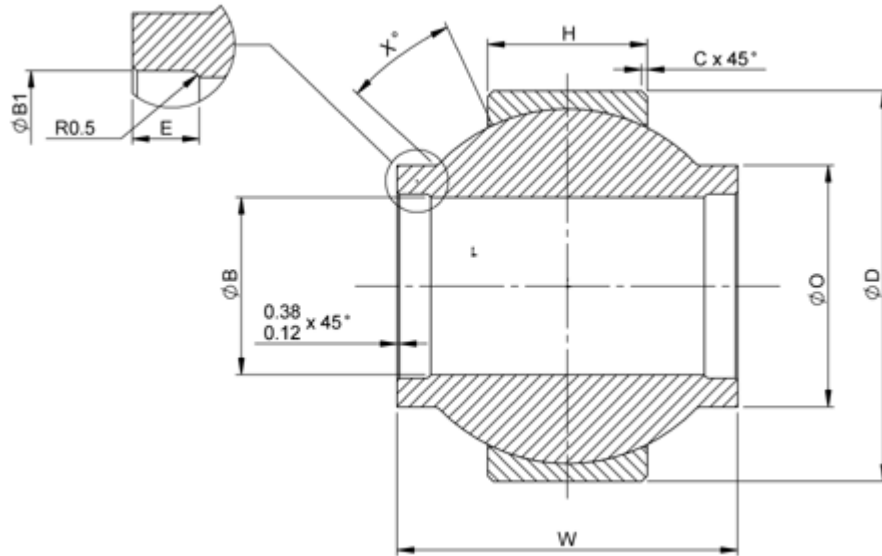
Materials

Clearance/Torque

Staking Groove

Limits & Fits

Keyways



Bore code	B	A	D	H	W	E	O	C	X°	Ball dia nom	Radial static ultimate load daN	Weight g max
	+0 -0.013	+0.1 -0.3	+0 -0.013	+0.25 -0	+0 -0.13	+0.5 -1.0	min	+0.38 -0	min			
03	4.826	5.4	14.288	5.207	12.700	2.0	8.00	0.508	15	11.100	3467	9
04	6.350	6.9	18.796	6.350	15.062	2.0	9.81		24	15.062	4222	18
05	7.938	8.5	23.012	8.636	20.650	3.0	12.90		23	19.837	7245	31.7
06	9.525	10.1	23.012	8.636	20.650	3.0	12.90		22	19.837	9779	31.7
07	11.113	11.7	25.400	8.636	22.225	2.5	15.60		22	22.225	12891	45.3
08	12.700	13.3	28.575	10.058	23.799	3.5	18.44		20	25.400	16135	72.5
10	15.875	16.5	34.925	14.275	30.480	3.0	21.64		20	31.750	25781	113.4
12	19.050	19.6	39.688	15.621	32.512	4.0	24.34		19	34.925	32227	145
14	22.225	22.8	44.450	15.748	35.560	4.0	28.36		19	38.887	36451	195
16	25.400	26.0	53.975	21.082	47.625	4.0	32.06		21	47.625	60454	367.4
20	31.750	32.3	63.500	25.400	47.625	4.0	38.58	21	57.150	87125	503.5	

Dimensions in millimetres



Head Office

UK

Germany

Contact Details

France

Italy

Singapore

USA