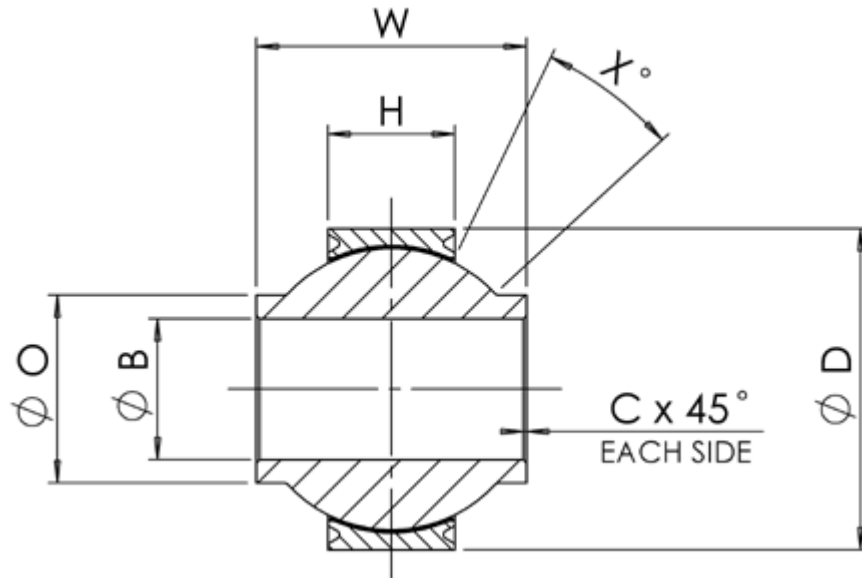


ABS0575 High Angle Series Grooved RSTADG--A
 Menu

- P/N X-Ref
- Materials
- Clearance/Torque
- Staking Groove
- Limits & Fits
- Keyways



ABS Part No.	Rose Part No.	B	D	H	W	O	C	X°	Ball dia nom	Max static radial load lbf		Max static axial load lbf		Oscillating load lbf	Weigh approx. lbs
		+0 -.0005	+0 -.0005	+0.010 -0	+0 -.002	min		min		Limit	Ultimate	Limit	Ultimate		
ABS0575-10	RSTADG10A	.6250	1.4250	.562	1.200	.834	.005 to	20	1.250	43120	64680	4655	6983	18480	.25
ABS0575-16	RSTADG16A	1.0000	2.1250	.830	1.875	1.220	.015	21	1.875	99120	148680	12950	19425	42480	.81

Dimensions in inches

NMB Head Office UK Germany France Italy Singapore USA
 Contact Details