

NSA 8130 Narrow Series Chamfered RSTN--NSA

Menu

P/N X-Ref

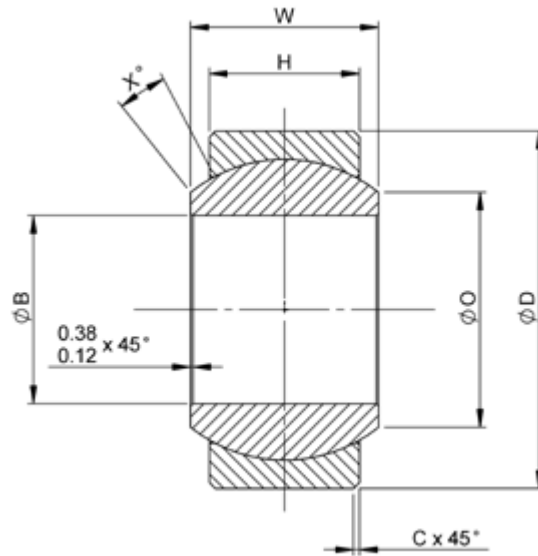
Materials

Clearance/Torque

Staking Groove

Limits & Fits

Keyways



Bore code	B	D	H	W	O	C	X°	Ball dia nom	Max static ultimate load daN	Weight g max
	+0 -0.0127	+0 -0.0127	+0.127 -0.127	+0 -0.127	min	+0.254 -0	min			
03	4.826	14.288	5.537	7.137	8.46	0.254	10	11.100	2842	9
04	6.350	16.667	6.350	8.712	9.19		12	12.700	4174	9
05	7.938	19.050	7.137	9.525	11.62	0.381	11	15.062	6044	14
06	9.525	20.637	7.925	10.312	12.03		10	15.875	7512	18
07	11.113	23.017	8.712	11.100	13.42	0.508	9	17.449	9424	24
08	12.700	25.400	9.906	12.700	15.20		9.5	19.837	12625	37
09	14.288	27.780	11.100	14.275	16.99		10	22.225	16448	41
10	15.875	30.163	12.700	15.875	19.78		8.5	25.400	21782	54
12	19.050	36.513	15.062	19.050	25.36	0.762	8.5	31.750	34672	95
14	22.225	39.683	17.856	22.225	26.90		9	34.925	47100	123
16	25.400	44.450	20.243	25.400	30.44		9.5	39.675	58252	177
20	31.750	50.800	23.926	27.762	35.68		6	45.237	58914	240
24	38.100	61.913	28.702	33.325	43.42	0.762	6	54.762	86080	435
28	44.450	71.437	33.452	38.887	50.16		6	64.287	117492	671
32	50.800	80.963	38.227	44.450	57.90		6	73.025	155705	953
							6	73.025	155705	953

Dimensions in millimetres



Head Office

UK

Germany

Contact Details

France

Italy

Singapore

USA