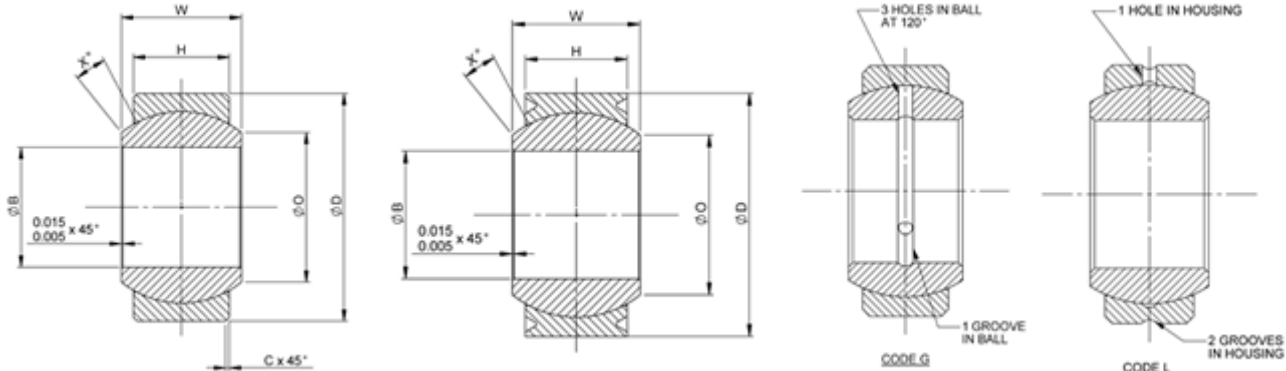


**Narrow Series** **RSTN(G)**

[Menu](#)

- [P/N X-Ref](#)  
 [Materials](#)  
 [Clearance/Torque](#)  
 [Staking Groove](#)  
 [Limits & Fits](#)  
 [Keyways](#)



Bore code	B	D	H	W	O	C	X°	Ball dia nom	Max static radial load lb	Weight lb max
	+0.000 -0.005	+0.000 -0.005	+0.005 -0.005	+0.000 -0.002	nom	+0.015 -0.000	min			
03	.1900	.5625	.218	.281	.335	.010	10	.437	5000	.015
04	.2500	.6562	.250	.343	.364	.010	13	.500	7680	.023
05	.3125	.7500	.281	.375	.460	.015	11	.594	10530	.031
06	.3750	.8125	.312	.406	.475	.015	10	.625	13100	.039
07	.4375	.9062	.343	.437	.530	.015	9	.687	16620	.047
08	.5000	1.0000	.390	.500	.600	.020	9.5	.781	21000	.070
09	.5625	1.0937	.437	.562	.670	.020	10	.875	27500	.094
10	.6250	1.1875	.500	.625	.777	.020	8.5	1.000	33750	.117
12	.7500	1.4375	.593	.750	1.000	.020	8.5	1.250	50370	.203
14	.8750	1.5625	.703	.875	1.060	.020	9	1.375	66870	.273
16	1.0000	1.7500	.797	1.000	1.200	.025	9	1.562	86870	.382
20	1.2500	2.0000	.942	1.093	1.406	.025	6	1.781	117120	.530
24	1.5000	2.4375	1.130	1.312	1.710	.030	6	2.156	175000	.960
28	1.7500	2.8125	1.317	1.531	2.015	.030	6	2.531	238750	1.480
32	2.0000	3.1875	1.505	1.750	2.280	.030	6	2.875	312500	2.100

Dimensions in inches

**Head Office**  
 [UK](#)  
 [Germany](#)  
 [France](#)  
 [Italy](#)  
 [Singapore](#)  
 [USA](#)