

NSA 8132      Narrow Series Grooved      RSTNG--NSA

Menu

P/N X-Ref

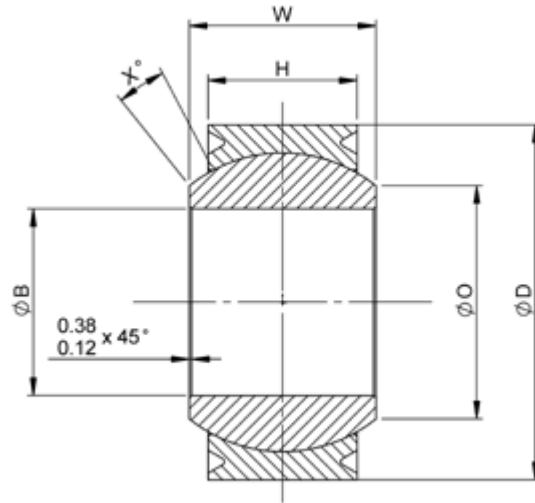
Materials

Clearance/Torque

Staking Groove

Limits & Fits

Keyways



Bore code	B	D	H	W	O	X°	Ball dia nom	Max static ultimate load daN	Weight g max
	+0 -0.0127	+0 -0.0127	+0.127 -0.127	+0 -0.127	min	min			
03	4.826	14.288	5.537	7.137	8.46	10	11.100	2842	9
04	6.350	16.667	6.350	8.712	9.19	12	12.700	4174	9
05	7.937	19.050	7.137	9.525	11.62	11	15.062	6044	13.6
06	9.525	20.637	7.925	10.312	12.03	10	15.875	7512	18.1
07	11.113	23.017	8.712	11.100	13.42	9	17.449	9424	22.7
08	12.700	25.400	9.906	12.700	15.20	9.5	19.837	12625	31.7
09	14.288	27.779	11.100	14.275	16.99	10	22.225	16448	40.8
10	15.875	30.163	12.700	15.875	19.78	8.5	25.400	21782	54.4
12	19.050	36.513	15.062	19.050	25.36	8.5	31.750	34672	95.2
14	22.225	39.683	17.856	22.225	26.90	9	34.925	47100	122.4
16	25.400	44.450	20.243	25.400	30.44	9.5	39.675	58252	176.9

Dimensions in millimetres



Head Office

UK

Germany

Contact Details

France

Italy

Singapore

USA