

NSA 8131 Wide Series Chamfered RSTW--NSA

Menu

P/N X-Ref

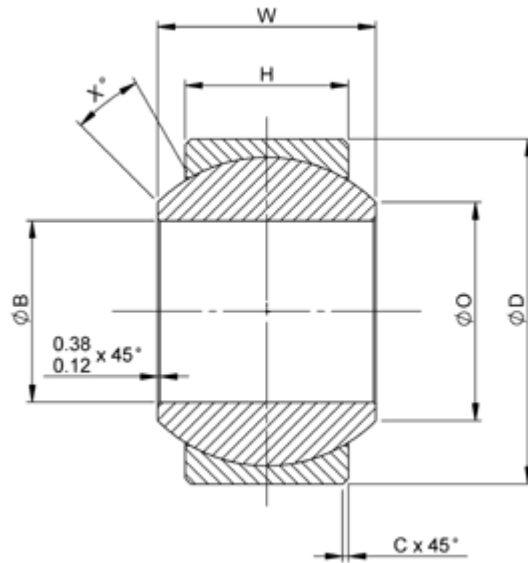
Materials

Clearance/Torque

Staking Groove

Limits & Fits

Keyways



Bore code	B	D	H	W	O	C	X°	Ball dia nom	Max static ultimate load daN	Weight g max
	+0 -0.0127	+0 -0.0127	+0.254 -0	+0 -0.127	min	+0.254 -0	min			
03	4.826	15.875	8.179	11.100	7.66	0.381	17	13.487	5200	10
04	6.350	15.875	8.179	11.100	7.66		17	13.487	5200	10
05	7.938	17.462	7.925	11.100	10.18		14	15.062	6846	10
06	9.525	20.637	10.185	12.700	11.96		10	17.449	10758	22
07	11.113	23.812	11.100	14.275	13.77	0.508	12	19.837	13869	36
08	12.700	25.400	12.700	15.875	15.55		9	22.225	18359	45
09	14.288	28.575	13.487	17.449	18.45		11	25.400	23027	63
10	15.875	30.163	14.275	19.050	19.09		12	26.975	26360	72
12	19.050	34.925	15.875	22.225	22.67	0.762	14	31.750	35562	104
14	22.225	41.275	19.050	22.225	26.94		7	34.925	47563	158
16	25.400	53.975	25.400	34.925	32.37		15	47.625	88017	440
20	31.750	60.325	28.575	38.100	37.07		14	53.161	110243	499
24	38.100	68.262	30.937	42.849	42.58	0.762	15	60.706	136470	657
28	44.450	76.200	33.325	46.024	49.87		14	67.863	164475	838
32	50.800	82.550	34.925	49.199	56.09		14	74.599	188924	975

Dimensions in millimetres



Head Office

UK

Germany

Contact Details

France

Italy

Singapore

USA