

Wide Series RSTW(G)

[Menu](#)

[P/N X-Ref](#)

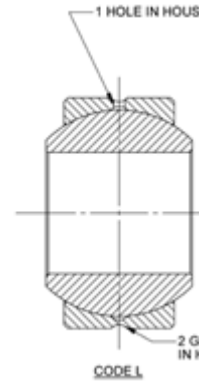
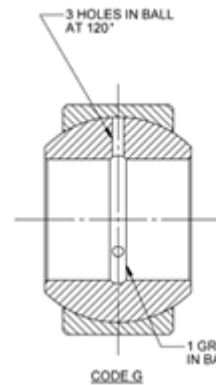
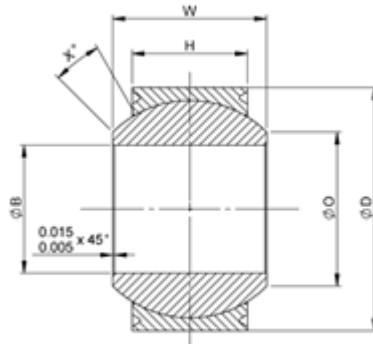
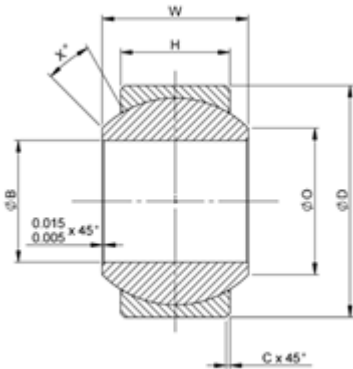
[Materials](#)

[Clearance/Torque](#)

[Staking Groove](#)

[Limits & Fits](#)

[Keyways](#)



Bore code	B	D	H	W	O	C	X°	Ball dia nom	Max static radial load lb	Weight lb max
	+0.000 -0.005	+0.000 -0.005	+0.005 -0.005	+0.000 -0.002	nom	+0.015 -0.000	min			
03	.1900	.6250	.327	.437	.302	.015	17	.531	7380	.031
04	.2500	.6250	.327	.437	.302	.015	17	.531	10800	.031
05	.3125	.6875	.317	.437	.401	.015	14.5	.594	11620	.035
06	.3750	.8125	.406	.500	.471	.015	10	.687	19370	.055
07	.4375	.9375	.442	.562	.542	.015	12	.781	21750	.080
08	.5000	1.0000	.505	.625	.612	.020	9.5	.875	29500	.100
09	.5625	1.1250	.536	.687	.726	.020	11	1.000	35870	.135
10	.6250	1.1875	.567	.750	.752	.020	12	1.062	40000	.160
12	.7500	1.3750	.630	.875	.893	.020	14	1.250	51750	.240
14	.8750	1.6250	.755	.875	1.060	.020	7	1.375	71250	.350
16	1.0000	2.1250	1.005	1.375	1.275	.020	15	1.875	130000	.970
20	1.2500	2.3750	1.130	1.500	1.459	.020	13	2.094	168750	1.100
24	1.5000	2.6875	1.223	1.687	1.693	.030	14	2.391	206250	1.450
28	1.7500	3.0000	1.317	1.812	1.964	.030	13	2.672	250000	1.850
32	2.0000	3.2500	1.380	1.937	2.208	.030	13	2.937	287500	2.150

Dimensions in inches



Head Office

[UK](#)

[Germany](#)

Contact Details

[France](#)

[Italy](#)

[Singapore](#)

[USA](#)