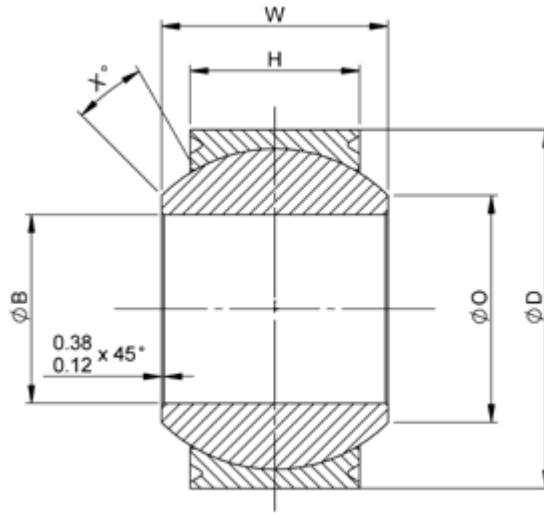


NSA 8133 Wide Series Grooved RSTWG--NSA
 Menu

- P/N X-Ref
- Materials
- Clearance/Torque
- Staking Groove
- Limits & Fits
- Keyways



Bore code	B	D	H	W	O	X°	Ball dia nom	Max static ultimate load daN	Weight g max
	+0 -0.0127	+0 -0.0127	+0.254 -0	+0 -0.127	min	min			
03	4.826	15.875	8.179	11.100	7.66	17	13.487	5201	14
04	6.350	15.875	8.179	11.100	7.66	17	13.487	5201	14
05	7.937	17.461	7.925	11.100	10.18	14	15.062	6846	14
06	9.525	20.636	10.185	12.700	11.96	10	17.449	10758	23
07	11.113	23.811	11.100	14.275	13.77	12	19.837	13869	36
08	12.700	25.400	12.700	15.875	15.55	9	22.225	18359	45
09	14.288	28.575	13.487	17.449	18.45	11	25.400	23027	64
10	15.875	30.162	14.275	19.050	19.09	12	26.975	26360	73
12	19.050	34.925	15.062	22.225	22.67	14	31.750	35562	104
14	22.225	41.275	19.050	22.225	26.94	7	34.925	47564	159
16	25.400	53.975	25.400	34.925	32.37	15	47.625	88017	440

Dimensions in millimetres


 Head Office UK Germany France Italy Singapore USA