

MS 14102 Wide Series Chamfered RWD--MS

Menu

P/N X-Ref

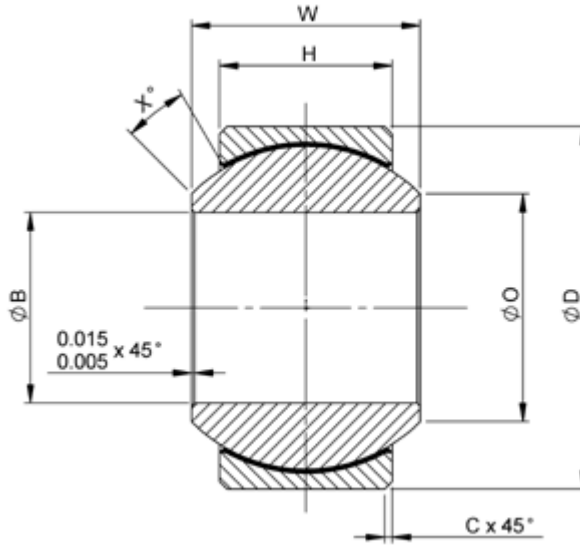
Materials

Clearance/Torque

Staking Groove

Limits & Fits

Keyways



Bore code	B	D	H	W	O	C	X°	Ball dia nom	Max static load lb		Weight lb max
	+0.000 -0.0005	+0.000 -0.0005	+0.005 -0.005	+0.000 -0.002	min				Radial	Axial	
03	.1900	.6250	.327	.437	.300	.010	15	.531	2500	1770	0.031
04	.2500	.6250	.327	.437	.300	to	15	.531	5500	1770	0.031
05	.3125	.6875	.317	.437	.360	.020	14	.594	9400	1640	0.035
06	.3750	.8125	.406	.500	.466		8	.687	13700	2630	0.060
07	.4375	.9375	.442	.562	.537	.020	10	.781	20700	3650	0.080
08	.5000	1.0000	.505	.625	.607	to	9	.875	21400	4970	0.100
09	.5625	1.1250	.536	.687	.721	.030	10	1.000	26600	5370	0.135
10	.6250	1.1875	.567	.750	.747		12	1.062	29000	6130	0.160
12	.7500	1.3750	.630	.875	.845	.030	13	1.250	37000	7730	0.240
14	.8750	1.6250	.755	.875	.995	to	6	1.375	65200	10800	0.350
16	1.0000	2.1250	1.005	1.375	1.269	.040	12	1.875	104000	19300	0.970

Dimensions in inches


**Head Office**    UK    Germany    **Contact Details**    France    Italy    Singapore    USA