

NSA 8135 Wide Series Chamfered RWD--NSA

Menu

P/N X-Ref

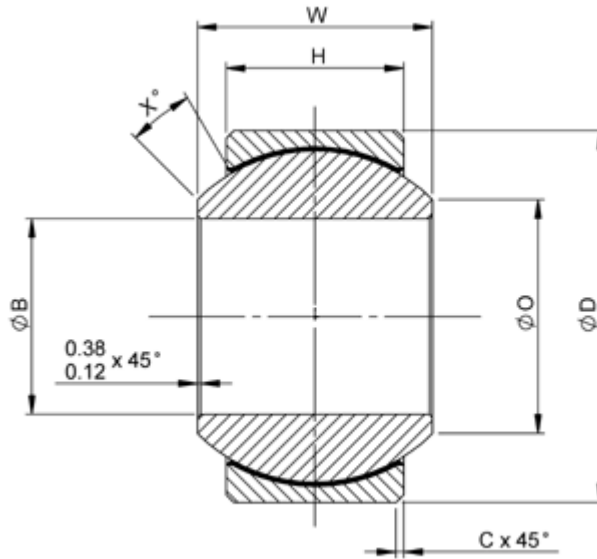
Materials

Clearance/Torque

Staking Groove

Limits & Fits

Keyways



Bore code	B	D	H	W	O	C	X°	Ball dia nom	Max static load daN		Dynamic radial load daN	Weight g max
	+0 -0.0127	+0 -0.0127	+0.127 -0.127	+0 -0.051	min	+0.254 -0	Radial		Axial			
03	4.826	15.875	8.306	11.100	7.66	0.381	15	13.487	4003	787	1676	14
04	6.350	15.875	8.306	11.100	7.66	0.381	15	13.487	4003	787	1676	14
05	7.937	17.462	8.052	11.100	10.18	0.381	14	15.088	4181	729	2066	16
06	9.525	20.637	10.312	12.700	11.96	0.381	8	17.449	6094	1169	2842	27
07	11.113	23.812	11.227	14.275	13.77	0.381	10	19.837	9207	1623	4176	36
08	12.700	25.400	12.827	15.875	15.55	0.508	9	22.225	12232	2219	5404	45
09	14.288	28.575	13.614	17.449	18.45	0.508	10	25.400	15301	2388	6663	61
10	15.875	30.163	14.402	19.050	19.09	0.508	12	26.975	17348	2726	7423	77
12	19.050	34.925	16.002	22.225	22.67	0.508	13	31.750	23264	3438	9831	109
14	22.225	41.275	19.177	22.225	26.94	0.508	6	34.925	29936	4804	12543	159
16	25.400	53.975	25.527	34.925	32.37	0.508	12	47.625	60940	8585	23886	440
20	31.750	60.325	28.702	38.100	37.07	0.763	12	53.161	56840	11591	29557	500
24	38.100	68.260	31.064	42.849	42.58	1.016	12	60.412	70600	13773	36712	700
28	44.450	76.200	33.452	46.024	49.87	1.016	12	67.868	85944	16175	44560	900
32	50.800	82.550	35.052	49.189	56.10	1.016	12	74.611	99616	18000	51800	1050

Dimensions in millimetres



Head Office

UK

Germany

Contact Details

France

Italy

Singapore

USA