

NSA 8137 Wide Series Grooved RWDG--NSA

Menu

P/N X-Ref

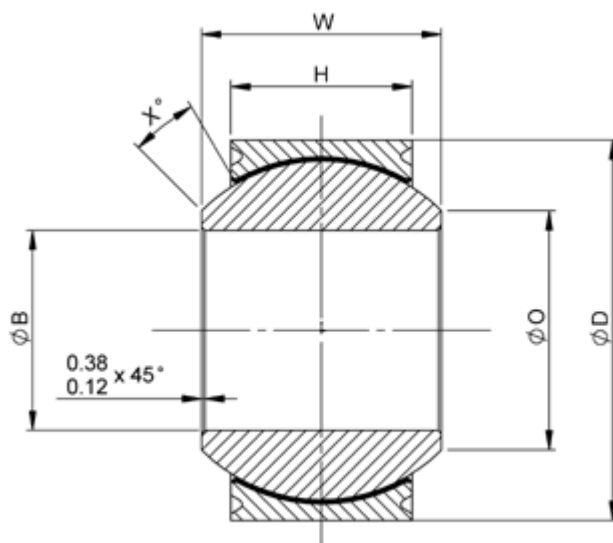
Materials

Clearance/Torque

Staking Groove

Limits & Fits

Keyways



Bore code	B	D	H	W	O	X°	Ball dia nom	Max static load daN		Dynamic radial load daN	Weight g max
	+0 -0.0127	+0 -0.0127	+0.127 -0.127	+0 -0.051	min	Radial		Axial			
03	4.826	15.875	8.306	11.100	7.66	15	13.487	4003	787	1676	14
04	6.350	15.875	8.306	11.100	7.66	15	13.487	4003	787	1676	14
05	7.937	17.462	8.052	11.100	10.18	14	15.088	4181	729	2066	16
06	9.525	20.637	10.312	12.700	11.96	8	17.449	6094	1169	2842	27
07	11.113	23.812	11.227	14.275	13.77	10	19.837	9207	1623	4176	36
08	12.700	25.400	12.827	15.875	15.55	9	22.225	12232	2219	5404	45
09	14.288	28.575	13.614	17.449	18.45	10	25.400	15301	2388	6663	61
10	15.875	30.163	14.402	19.050	19.09	12	26.975	17348	2726	7423	77
12	19.050	34.925	16.002	22.225	22.67	13	31.750	23264	3438	9831	109
14	22.225	41.275	19.177	22.225	26.94	6	34.925	29936	4804	12543	159
16	25.400	53.975	25.527	34.925	32.37	12	47.625	60940	8585	23886	440

Dimensions in millimetres

NMB Head Office UK Germany France Italy Singapore USA Contact Details