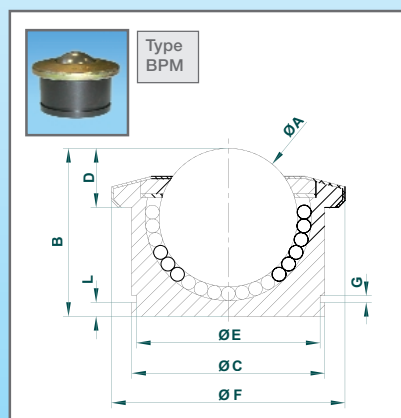
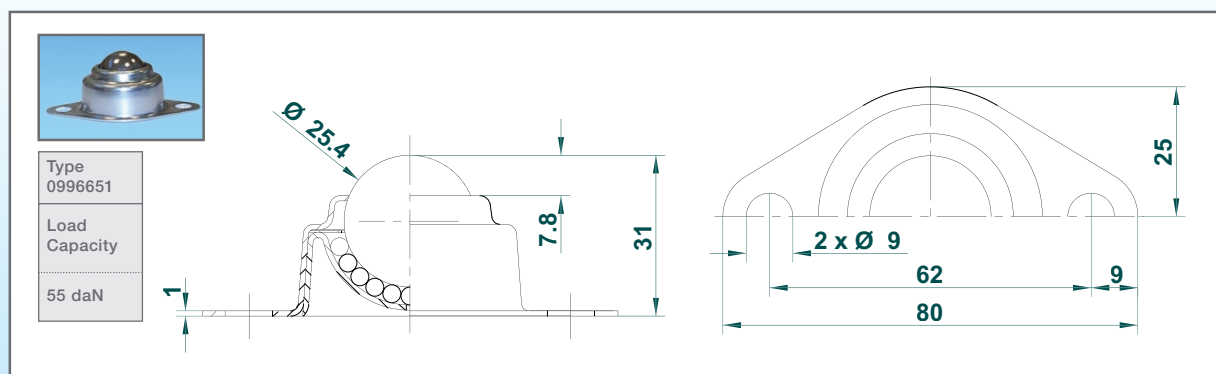
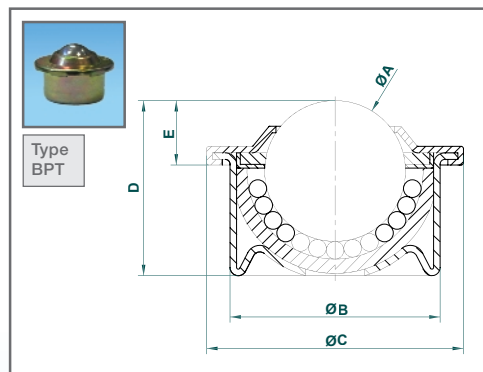


T-MEC Standard Range

Ball Transfer Units

We offer three main types of ball transfer unit, manufactured in a range of sizes and ball materials. Casings are available either in formed steel or machined from solid steel.

Reference	Load daN	A	B	C	D	E	Weight (g)
BPT 15	50	15	24	31	21.5	9.5	42
BPT 15 I	37		+/-0.065			+/-0.2	42
BPT 15 D	8						29
BPT 22	130	22	36	45	29.5	9.8	132
BPT 22 I	97		+/-0.08			+/-0.2	132
BPT 22 D	14						95
BPT 30	250	30	45	55	37.5	13.8	277
BPT 30 I	190		+/-0.08			+/-0.3	277
BPT 30 D	20						185



Reference	Load daN	A	B	C	D	E	F	G	L	Weight (g)
BPM 15	56	15	21	24	9.5	22.9	31	1.3	2	60
BPM 15 I	43			+/-0.065	+/-0.2	+0 -0.2	31	+0.1 -0	2	60
BPM 15 D	8									47
BPM 22	190	22	30.5	36	9.8	34	45	1.85	3	204
BPM 22 I	137			+/-0.08	+/-0.2	+0 -0.25	45	+0.1 -0		204
BPM 22 D	14									156
BPM 30	330	30	36.8	45	13.8	42.5	55	1.85	4	374
BPM 30 I	255			+/-0.08	+/-0.03	42.5	55	1.85	4	374
BPM 30 D	20									280
BPM 45	700	45	54	62	19	59	75	2.15	4.5	993
BPM 45 I	525			+/-0.1	+/-0.3	+0 -0.3	75	+0.1 -0		993

All products on this page are manufactured by CGR Roulements, formerly an SKF Group company.

All dimensions shown are in mm.

SKF Engineering Products Limited

Sundon Park Road Luton Bedfordshire LU3 3BL
 T: +44(0)1582 496795 F: +44(0)1582 496574
 E-mail: skf.epl@skf.com Website: www.skfepl.co.uk

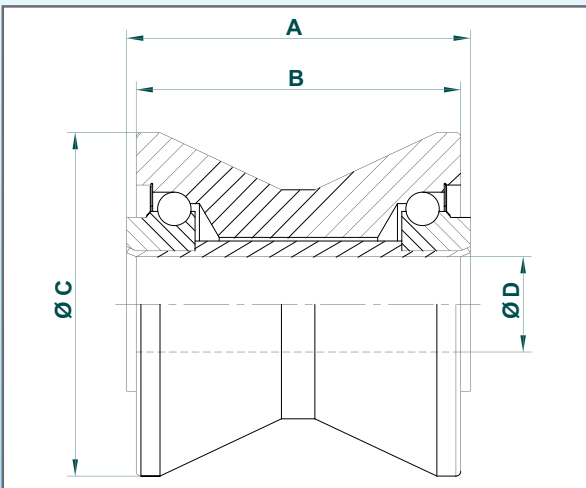
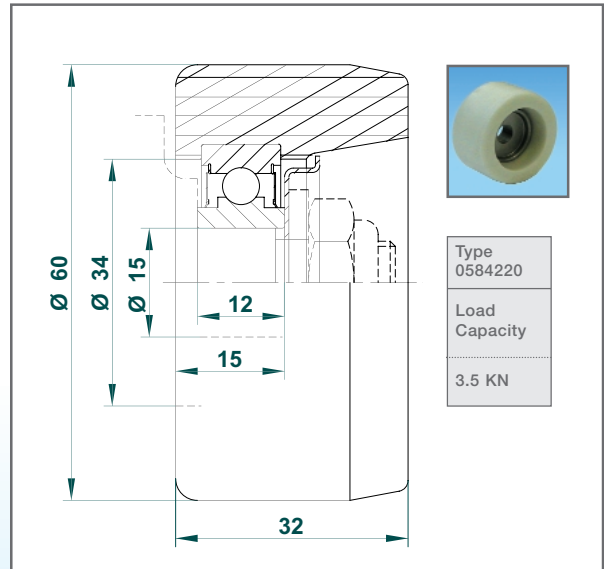


T-MEC Standard Range

Abattoir Conveyor Rollers

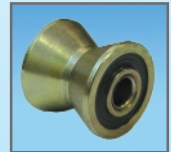
Eurorail Rollers

- Specially designed in collaboration with major European abattoirs for extra performance and long life
- Temperature range of -40°C to +50°C
- Efficient seals provide protection from brine vapours during jet washing
- Tyre material has a 30% fibre mix to withstand shock loads and prevent tearing
- Free rotating design and minimal seal friction ensures the roller will only roll at a 3% incline



Diabolo Rollers

- Used in the abattoir industry for various meat handling processes
- Typically offers three to four times the life of a standard roller
- Fits directly onto the existing shaft
- Available in two sizes (see table)
- Withstands temperatures from -35°C to +180°C
- Suitable for conditions ranging from cold storage to the burn processes required for some animals
- Protected from brine vapours during the jet washing process by special corrosion resistant grease, Viton seals and zinc gold plating



Type	mm	Rail size	A	B	C	D	Load Capacity
0816401		40 – 49	36	34	36	10	4.9 KN
0920786		50 – 60	52	47.5	40	12	5.25 KN

All products on this page are manufactured by CGR Roulements, formerly an SKF Group company.

All dimensions shown are in mm.

SKF Engineering Products Limited

Sundon Park Road Luton Bedfordshire LU3 3BL
 T: +44(0)1582 496795 F: +44(0)1582 496574
 E-mail: skf.ep1@skf.com Website: www.skfep1.co.uk

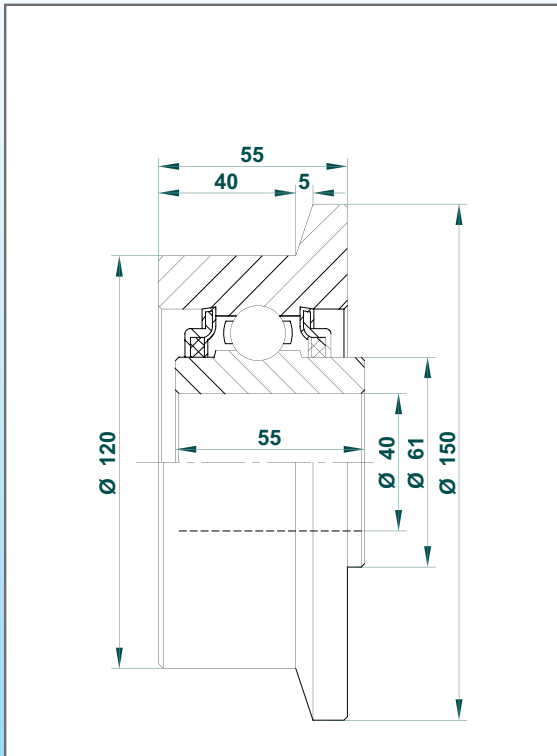
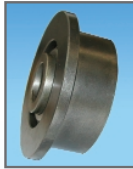


T-MEC Standard Range

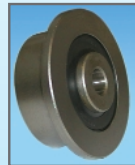
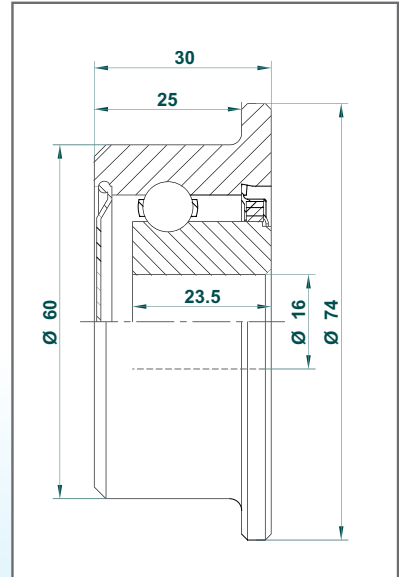
Ground Conveyor Rollers

The ground conveyor rollers offered by SKF are used in applications such as vehicle production lines and sizes are often fully interchangeable. If your conveyor or application is different, an existing design can often be adapted to fit, or a bespoke design solution created to fulfil your exact requirements.

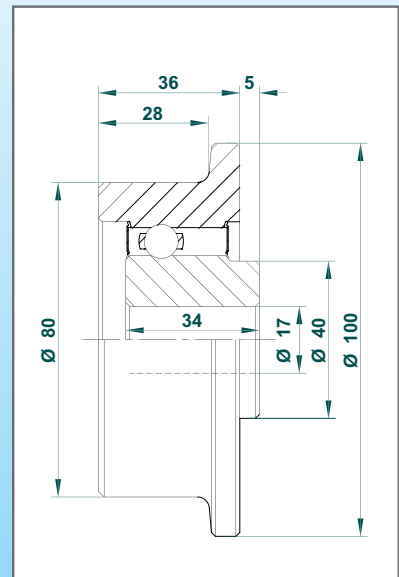
Type 0491100
Load Capacity
25 KN



Type 0401101
Load Capacity
6.2 KN



Type 0288600
Load Capacity
12 KN



All products on this page are manufactured by CGR Roulements, formerly an SKF Group company.

All dimensions shown are in mm.

SKF Engineering Products Limited

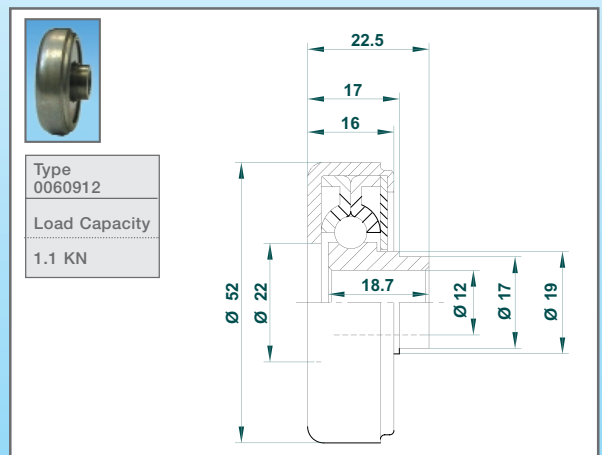
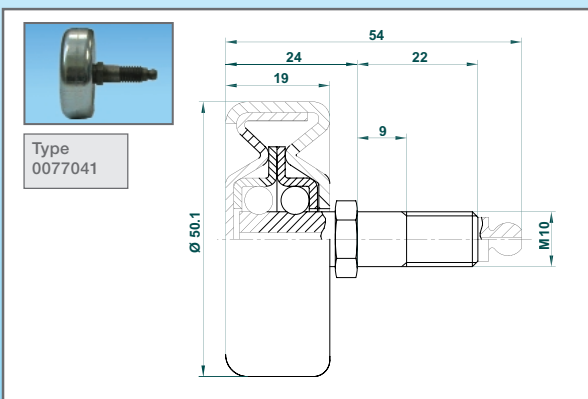
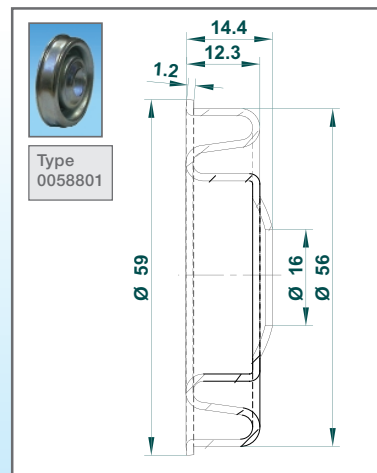
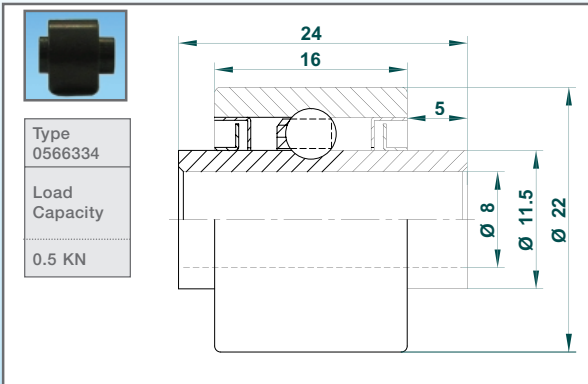
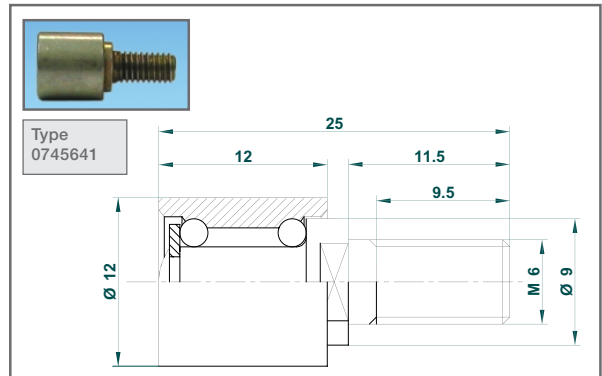
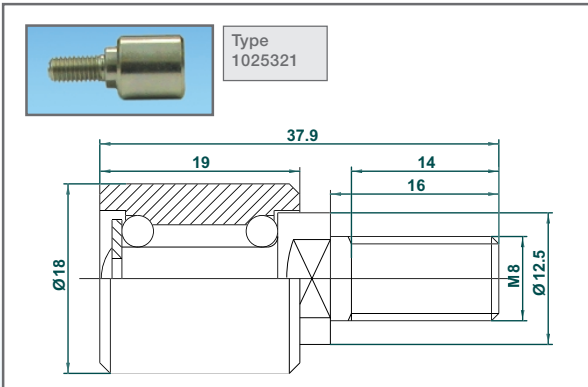
Sundon Park Road Luton Bedfordshire LU3 3BL
 T: +44(0)1582 496795 F: +44(0)1582 496574
 E-mail: skf.epl@skf.com Website: www.skfepl.co.uk



T-MEC Standard Range

Gravity Conveyor Rollers

The gravity conveyor rollers offered by SKF are designed for a wide range of applications and can directly replace an existing unit. In some circumstances, we can adapt a design to suit your requirements or create a bespoke product for your application.



All products on this page are manufactured by CGR Roulements, formerly an SKF Group company.

All dimensions shown are in mm.

SKF Engineering Products Limited

Sundon Park Road Luton Bedfordshire LU3 3BL
 T: +44(0)1582 496795 F: +44(0)1582 496574
 E-mail: skf.epl@skf.com Website: www.skfepl.co.uk



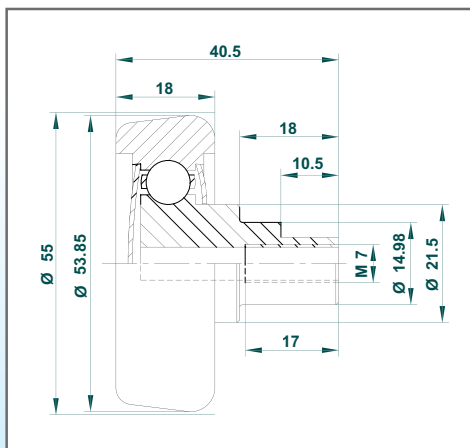
T-MEC Standard Range

Tower Crane Rollers

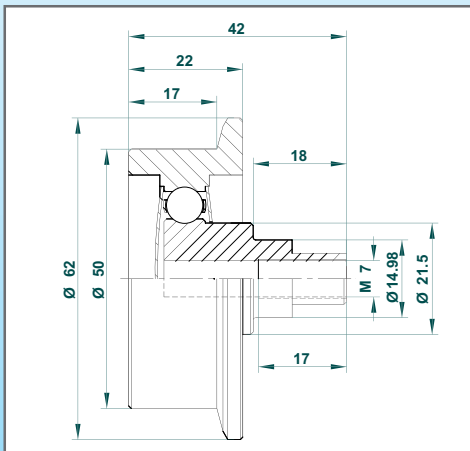
SKF provide a range of rollers suitable for tower crane applications, but these can also be modified to suit other purposes. For example, a tower crane roller is used in a French application that rotates champagne bottles during storage.



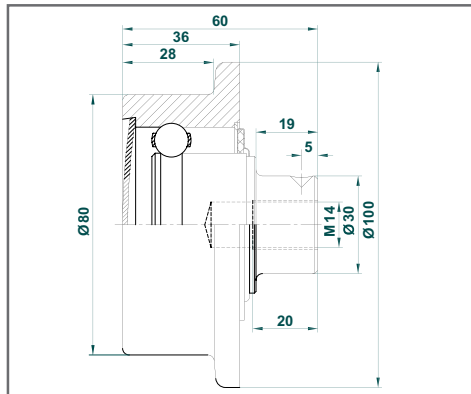
Type	0333000
Load Capacity	3.8 KN



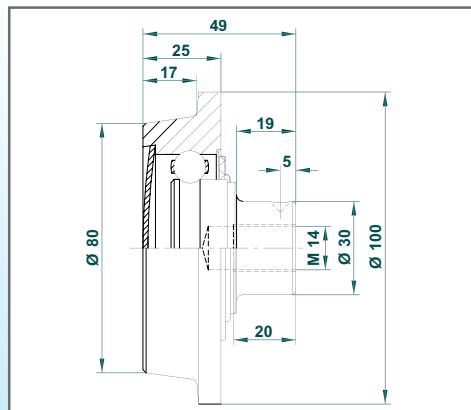
Type	0333200
Load Capacity	3.8 KN



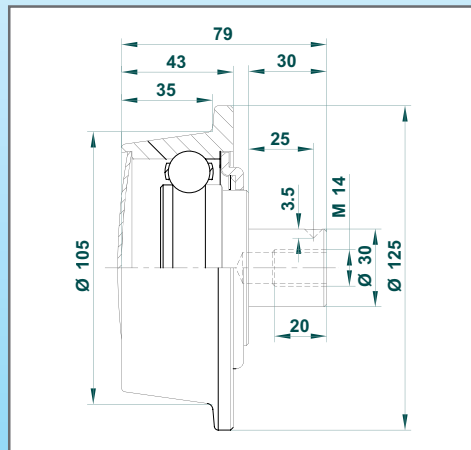
Type	0333400
Load Capacity	12 KN



Type	0333300
Load Capacity	12 KN



Type	0333510 <i>(steel)</i>
	0333501 <i>(zinc-plated steel)</i>
Load Capacity	25 KN



All products on this page are manufactured by CGR Roulements, formerly an SKF Group company.

All dimensions shown are in mm.

SKF Engineering Products Limited

Sundon Park Road Luton Bedfordshire LU3 3BL
 T: +44(0)1582 496795 F: +44(0)1582 496574
 E-mail: skf.epl@skf.com Website: www.skfepl.co.uk

