

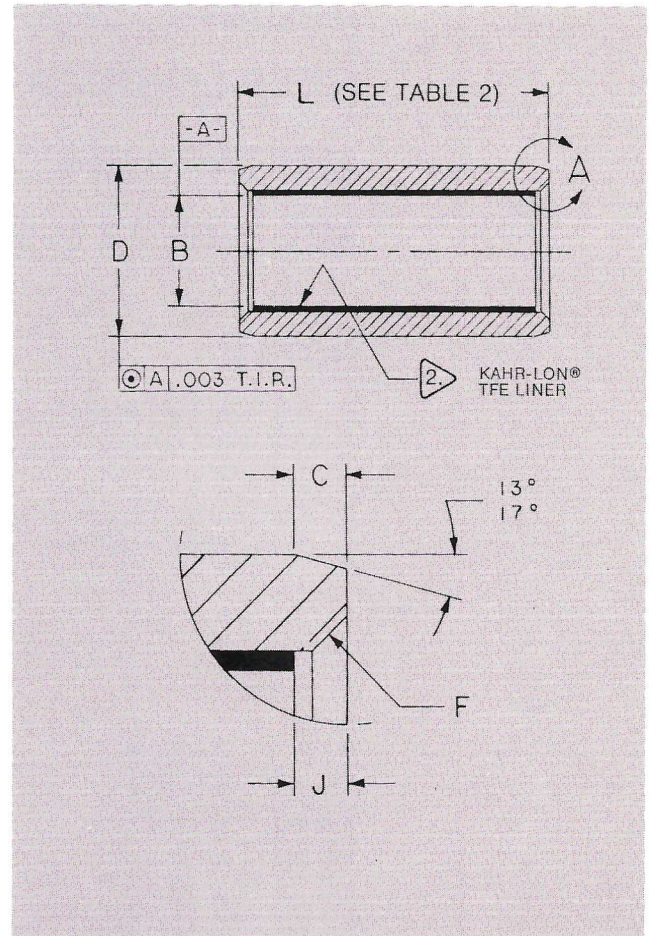
KDJ-240 Series

QPL APPROVED

MILITARY STANDARD MS21240

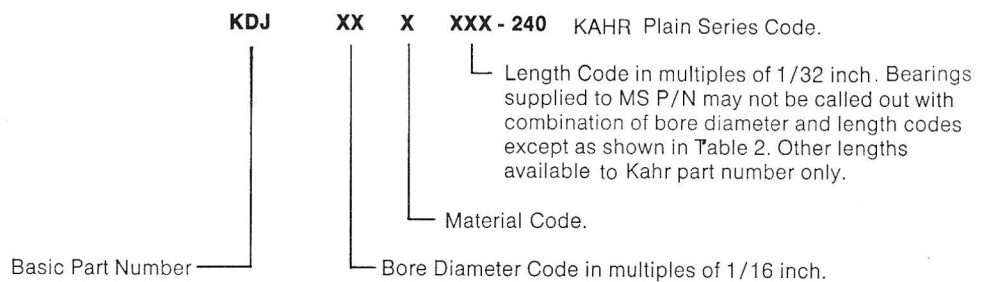
SPECIFICATIONS TABLE I

Basic Bearing Number	B	D	F	C	J
	Dia. + .0000 - .0010	Dia. (a)	Chamfer x 45° or R (Typ.)	Chamfer (Typ.)	Dim. Max.
KDJ04() (-)-240	0.2515	0.3760			
KDJ05() (-)-240	0.3140	0.4386			
KDJ06() (-)-240	0.3765	0.5012			
KDJ07() (-)-240	0.4390	0.5638			
KDJ08() (-)-240	0.5015	0.6265			
KDJ09() (-)-240	0.5640	0.6892			
KDJ10() (-)-240	0.6265	0.8142			
KDJ11() (-)-240	0.6890	0.8767	0.005	0.020	0.025
KDJ12() (-)-240	0.7515	0.9393	to	to	
KDJ14() (-)-240	0.8765	1.0645	0.015	0.030	
KDJ16() (-)-240	1.0015	1.1898			
KDJ18() (-)-240	1.1265	1.3148			
KDJ20() (-)-240	1.2515	1.4398			
KDJ22() (-)-240	1.3765	1.5648			
KDJ24() (-)-240	1.5015	1.7523			
KDJ26() (-)-240	1.6265	1.8773			
KDJ28() (-)-240	1.7515	2.0023			
KDJ32() (-)-240	2.0015	2.2523			



(a) D Tolerance: Aluminum ± 0.0005 ;
Corrosion resistant steel $+0.0000, -0.0005$.

DESCRIPTION OF PART NUMBER:



SEE MATERIAL CODE AND NOTES 1 AND 2 ON NEXT PAGE