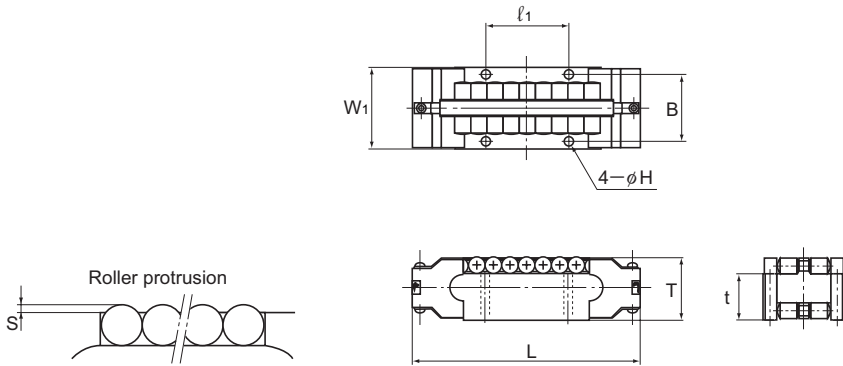
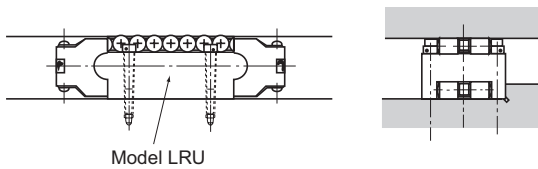


Model LRU



Unit: mm

Model No.	Main dimensions									Mass kg	Basic dynamic load rating C kN	Basic static load rating C ₀ kN	
	Thick- ness T	Width		t	Length			B	H				S
		W ₁	Tolerance		L	l ₁							
LRU 22.2	14.283	22.23	⁰ / _{-0.050}	10.48	51	19.05	17.07	3	0.253	0.09	11.9	14.5	
LRU 25.4	19.05	25.4	⁰ / _{-0.050}	13.97	73	25.4	20.6	3.4	0.2	0.22	28.1	39.8	
LRU 38.1	28.573	38.1	⁰ / _{-0.050}	20.953	101.6	38.1	30.96	4.5	0.22	0.7	59.4	88.2	
LRU 50.8	38.098	50.8	⁰ / _{-0.075}	27.938	139.7	50.8	41.28	5.6	0.46	1.7	103	159	
LRU 76.2	57.15	76.2	⁰ / _{-0.075}	41.15	206.4	76.2	61.9	6.6	0.5	5.7	245	402	



LM Roller