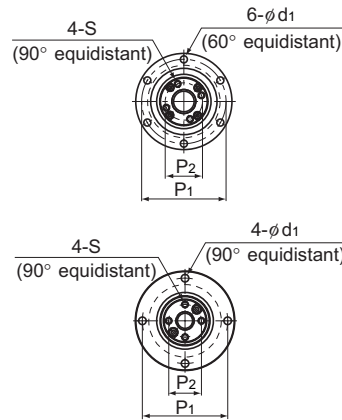
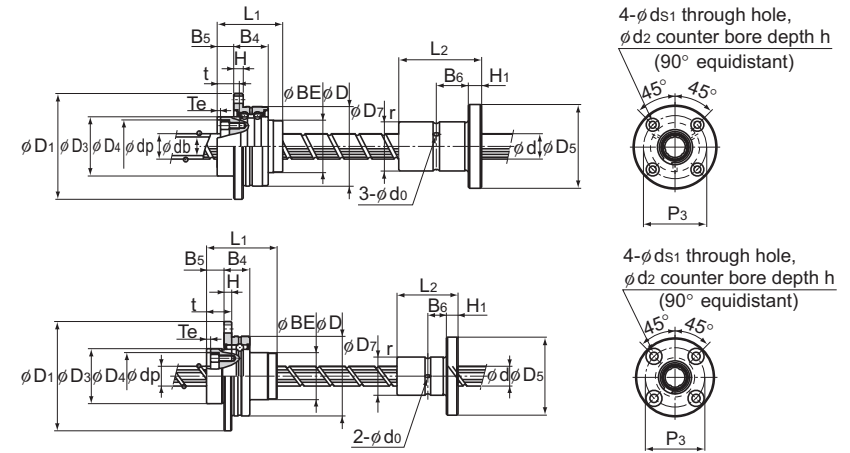


Model NS-A Compact Type: Straight Motion



Models NS 0812A and 1015A



Models NS 0812A and 1015A

Ball screw unit

Unit: mm

Model No.	Screw shaft outer diameter d	Screw shaft inner diameter db	Lead Ph	Ball screw dimensions																			Support bearing basic load rating		Nut inertial moment kg·cm ²	Screw shaft inertial moment/mm J kg·cm ² /mm	Nut mass kg	Shaft mass kg/m
				Basic load rating		Ball center-to-center diameter dp	Thread minor diameter dc	Outer diameter D	Flange diameter D1	Overall length L1	D3	D4	BE	H	B3	B5	Te	P1	P2	S	t	d1	Ca	C0a				
				Ca	C0a																							
NS 0812A	8	—	12	1.1	1.8	8.4	6.6	32	44	28.5	22	19	19	3	10.5	7	1.5	38	14.5	M2.6	10	3.4	0.8	0.5	0.03	3.16×10 ⁻⁵	0.08	0.35
NS 1015A	10	—	15	1.7	2.7	10.5	8.3	36	48	34.5	26	23	23	3	10.5	8	1.5	42	18	M3	11.5	3.4	0.9	0.7	0.08	7.71×10 ⁻⁵	0.15	0.52
NS 1616A	16	11	16	3.9	7.2	16.65	13.7	48	64	40	36	32	32	6	21	10	2	56	25	M4	13.5	4.5	8.7	10.5	0.35	3.92×10 ⁻⁴	0.31	0.8
NS 2020A	20	14	20	6.1	12.3	20.75	17.5	56	72	48	43.5	39	39	6	21	11	2.5	64	31	M5	16.5	4.5	9.7	13.4	0.85	9.37×10 ⁻⁴	0.54	1.21
NS 2525A	25	18	25	9.1	19.3	26	22	66	86	58	52	47	47	7	25	13	3	75	38	M6	20	5.5	12.7	18.2	2.12	2.2×10 ⁻³	0.88	1.79
NS 3232A	32	23	32	13	29.8	33.25	28.3	78	103	72	63	58	58	8	25	14	3	89	48	M6	21	6.6	13.6	22.3	5.42	5.92×10 ⁻³	1.39	2.96
NS 4040A	40	29	40	21.4	49.7	41.75	35.2	100	130	88	79.5	73	73	10	33	16.5	3	113	61	M8	24.5	9	21.5	36.8	17.2	1.43×10 ⁻²	3.16	4.51

Ball spline

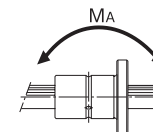
Unit: mm

Model No.	Ball spline dimensions																			Nut mass kg
	Basic load rating		Static permissible moment MA N-m	Basic torque rating		Outer diameter D7	Flange diameter D5 0 -0.2	Overall length L2	H1	B6	r	Greasing hole d0	P3	Mounting hole						
	C	C0		CT	C0T									ds1	d2	h				
NS 0812A	1.5	2.6	5.9	2	2.9	16 0 -0.011	32	25	5	7.5	0.5	1.5	24	3.4	6.5	3.3	0.04			
NS 1015A	2.8	4.9	15.7	3.9	7.8	21 0 -0.013	42	33	6	10.5	0.5	1.5	32	4.5	8	4.4	0.09			
NS 1616A	7.1	12.6	67.6	31.4	34.3	31 0 -0.013	51	50 0 -0.2	7	18	0.5	2	40	4.5	8	4.4	0.23			
NS 2020A	10.2	17.8	118	56.8	55.8	35 0 -0.016	58	63 0 -0.2	9	22.5	0.5	2	45	5.5	9.5	5.4	0.33			
NS 2525A	15.2	25.8	210	105	103	42 0 -0.016	65	71 0 -0.3	9	26.5	0.5	3	52	5.5	9.5	5.4	0.45			
NS 3232A	20.5	34	290	180	157	49 0 -0.016	77	80 0 -0.3	10	30	0.5	3	62	6.6	11	6.5	0.58			
NS 4040A	37.8	60.5	687	418	377	64 0 -0.019	100	100 0 -0.3	14	36	0.5	4	82	9	14	8.6	1.46			

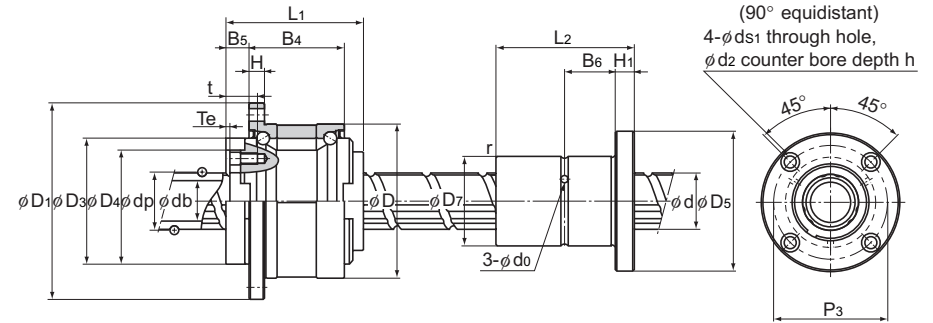
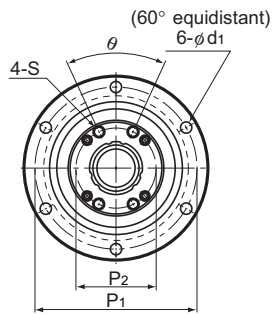
Model number coding

NS2020A +500L

Model number Overall shaft length (in mm)



Model NS Heavy-load Type: Linear Motion



Ball screw unit

Model No.	Screw shaft outer diameter	Screw shaft inner diameter	Lead	Ball screw dimensions																		Support bearing basic load rating		Nut inertial moment	Screw shaft inertial moment/mm	Nut mass	Shaft mass	
				Basic load rating		Ball center-to-center diameter	Thread minor diameter	Outer diameter	Flange diameter	Overall length	D_3	D_4	H	B_4	B_5	Te	P_1	P_2	S	t	d_1	θ°	Ca					C_{0a}
				Ca	C_{0a}																			kN	kN	kg·cm ²	kg	
NS 1616	16	11	16	3.9	7.2	16.65	13.7	52 ⁰ _{-0.007}	68	43.5	40	32	5	27.5	9	2	60	25	M4	12	4.5	40	19.4	19.2	0.48	3.92×10^{-4}	0.38	0.8
NS 2020	20	14	20	6.1	12.3	20.75	17.5	62 ⁰ _{-0.007}	78	54	50	39	6	34	11	2	70	31	M5	16	4.5	40	26.8	29.3	1.44	9.37×10^{-4}	0.68	1.21
NS 2525	25	18	25	9.1	19.3	26	22	72 ⁰ _{-0.007}	92	65	58	47	8	43	12.5	3	81	38	M6	19	5.5	40	28.2	33.3	3.23	2.2×10^{-3}	1.1	1.79
NS 3232	32	23	32	13	29.8	33.25	28.3	80 ⁰ _{-0.007}	105	80	66	58	9	55	14	3	91	48	M6	19	6.6	40	30	39	6.74	5.92×10^{-3}	1.74	2.96
NS 4040	40	29	40	21.4	49.7	41.75	35.2	110 ⁰ _{-0.008}	140	98	90	73	11	68	16.5	3	123	61	M8	22	9	50	59.3	74.1	27.9	1.43×10^{-2}	3.95	4.51
NS 5050	50	36	50	31.8	77.6	52.2	44.1	120 ⁰ _{-0.008}	156	126	100	90	12	80	25	4	136	75	M10	28	11	50	62.2	83	58.2	3.52×10^{-2}	6.22	7.16

Ball spline

Model No.	Ball spline dimensions														Mounting hole			Nut mass
	Basic load rating		Static permissible moment	Basic torque rating		Outer diameter	Flange diameter	Overall length	H_1	B_5	r	Greasing hole	P_3	d_{s1}	d_2	h		
	C	C_0		C_T	C_{0T}												kg	
NS 1616	7.1	12.6	67.6	31.4	34.3	31 ⁰ _{-0.013}	51	50 ⁰ _{-0.2}	7	18	0.5	2	40	4.5	8	4.4	0.23	
NS 2020	10.2	17.8	118	56.9	55.9	35 ⁰ _{-0.016}	58	63 ⁰ _{-0.2}	9	22.5	0.5	2	45	5.5	9.5	5.4	0.33	
NS 2525	15.2	25.8	210	105	103	42 ⁰ _{-0.016}	65	71 ⁰ _{-0.3}	9	26.5	0.5	3	52	5.5	9.5	5.4	0.45	
NS 3232	20.5	34	290	180	157	49 ⁰ _{-0.016}	77	80 ⁰ _{-0.3}	10	30	0.5	3	62	6.6	11	6.5	0.58	
NS 4040	37.8	60.5	687	419	377	64 ⁰ _{-0.019}	100	100 ⁰ _{-0.3}	14	36	0.5	4	82	9	14	8.6	1.46	
NS 5050	60.9	94.5	1340	842	769	80 ⁰ _{-0.019}	124	125 ⁰ _{-0.3}	16	46.5	1	4	102	11	17.5	11	2.76	

Model number coding

NS2525 +600L

Model number Overall shaft length (in mm)

