



Corrosion Resistant Engineered Solutions OVERVIEW



TDC Gold - Mounted Ball Bearing



Component Material

Balls:	400 Series Stainless Steel
Retainer:	Unique Land Riding Retainer
Flinger:	Corrosion Resistant Xylan Coated
Bearing Races:	TDC Thin Dense Chrome Coated
Housing:	High Strength Reinforced Composite
Grease Fitting:	300 Series Stainless Steel
Grease:	H1 USDA/FDA Compliant Food Grade

Housing Features

- High Strength Reinforced Composite
- Reinforced Stainless Steel Bolt Ferrules
- Solid Construction - Machined Base
- Specialized Unit Identification System

Housing Benefits

- High Load Capacity
- Increased Strength Around Bolt Holes
- No Gaps or Fillings, Smooth Easy to Clean Surfaces
- Permanent Brand & Nomenclature Marking – Easy to Reorder

Insert Features

- TDC Thin Dense Chrome Coated Raceways
- TDC Thin Dense Chrome Coated Raceways
- Wide Outer Race Design
- Sealmaster Branded Pin & Dimple System
- Spring Loaded "V" Seal
- Endurance Coated Diamond Faceted Set Screws
- H1 USDA/FDA Compliant Food Grade Grease

Insert Benefits

- Similar Corrosion Resistance to 400 Series Stainless Steel
- Better Load Capability than 400 Series Stainless Steel
- Extra Grease Capacity - Extended Performance
- Direct Lubrication Path and Larger Insert Mis-Alignment
- High Sealing Performance, Wear Compensating
- Corrosion Resistant - Proven Lock Reliability
- Food Processing Approved Lubricant

Consult Technical Customer Service for Additional Information on:

- Chemical Resistance
- Installation and Maintenance Instructions
- Load Ratings
- Interchange Information
- Component Dimensional Specification
 - Grease Fittings
 - Set Screw Sizes
 - Misalignment Capabilities

Technical Customer Service
Aurora, IL 60504
630-898-9620

Customer Service
Maysville, KY 41056
606-564-2011 • 1-800-626-2120

Customer Service
Florence, KY 41022
606-342-7900 • 1-800-354-9825

www.emerson-ept.com

The CRES Family of Products



A Better Design for Healthy Peace of Mind



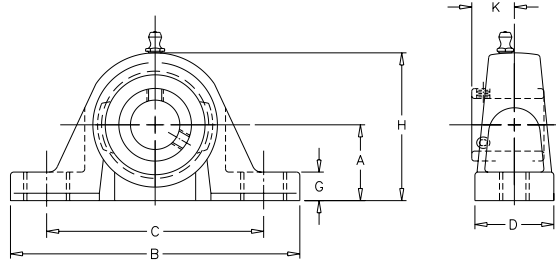
Corrosion Resistant Engineered Solutions

DIMENSIONS

TDC GOLD

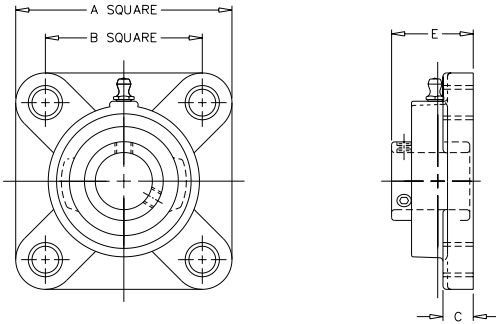


Pillow Block



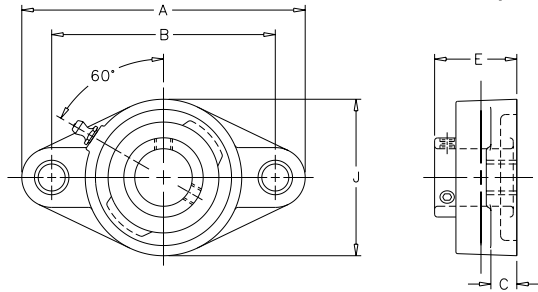
DESCRIPTION	SHAFT SIZE	A	B	C MAX	C MIN	D	G	H	K	BOLT SIZE
CRPC-12	3/4	1 5/16	5	4 1/16	3 7/16	1 1/2	35/64	2 35/64	1/2	3/8
CRPC-16	1	1 7/16	5 1/2	4 7/16	3 13/16	1 1/2	35/64	2 13/16	9/16	3/8
CRPC-19	1 3/16	1 11/16	6 1/2	5	4 1/2	1 7/8	11/16	3 21/64	5/8	1/2
CRPC-20R	1 1/4	1 11/16	6 1/2	5	4 1/2	1 7/8	11/16	3 21/64	5/8	1/2
CRPC-20	1 1/4	1 7/8	6 9/16	5 1/4	4 3/4	1 7/8	11/16	3 3/4	11/16	1/2
CRPC-23	1 7/16	1 7/8	6 9/16	5 1/4	4 3/4	1 7/8	11/16	3 3/4	11/16	1/2
CRPC-24	1 1/2	1 15/16	7 1/4	5 5/8	5 1/8	2 1/8	11/16	4 1/64	3/4	1/2

4 Bolt Flange



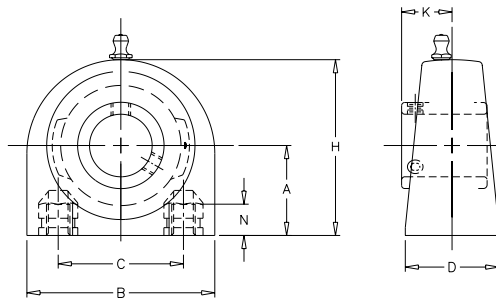
DESCRIPTION	SHAFT SIZE	A	B	C	E	BOLT SIZE
CRFC-12	3/4	3 7/16	2 1/2	7/16	1 3/8	3/8
CRFC-16	1	3 51/64	2 3/4	17/32	1 17/32	7/16
CRFC-19	1 3/16	4 11/32	3 1/4	17/32	1 21/32	7/16
CRFC-20R	1 1/4	4 11/32	3 1/4	17/32	1 21/32	7/16
CRFC-20	1 1/4	4 53/64	3 5/8	9/16	1 27/32	1/2
CRFC-23	1 7/16	4 53/64	3 5/8	9/16	1 27/32	1/2
CRFC-24	1 1/2	5 1/4	4	9/16	2 7/64	1/2

2 Bolt Flange



DESCRIPTION	SHAFT SIZE	A	B	C	E	J	BOLT SIZE
CRFTC-12	3/4	4 15/32	3 17/32	7/16	1 3/8	2 29/64	3/8
CRFTC-16	1	4 15/16	3 57/64	17/32	1 17/32	2 23/32	7/16
CRFTC-19	1 3/16	5 11/16	4 19/32	17/32	1 21/32	3 17/64	7/16
CRFTC-20R	1 1/4	5 11/16	4 19/32	17/32	1 21/32	3 17/64	7/16
CRFTC-20	1 1/4	6 21/64	5 1/8	9/16	1 27/32	3 3/4	1/2
CRFTC-23	1 7/16	6 21/64	5 1/8	9/16	1 27/32	3 3/4	1/2
CRFTC-24	1 1/2	6 29/32	5 21/32	9/16	2 7/64	4 7/64	1/2

Tapped Base



DESCRIPTION	SHAFT SIZE	A	B	C	D	H	K	N	BOLT SIZE
CRTBC-12	3/4	1 5/16	3	2	1 1/2	2 9/16	23/32	1/2	3/8-16
CRTBC-16	1	1 7/16	3 1/8	2	1 1/2	2 13/16	13/16	1/2	3/8-16
CRTBC-19	1 3/16	1 11/16	4	3	1 1/2	3 3/8	7/8	5/8	7/16-14
CRTBC-20R	1 1/4	1 11/16	4	3	1 1/2	3 3/8	7/8	5/8	7/16-14
CRTBC-20	1 1/4	1 7/8	4 1/4	3 1/4	1 7/8	3 3/4	1	3/4	1/2-13
CRTBC-23	1 7/16	1 7/8	4 1/4	3 1/4	1 7/8	3 3/4	1	3/4	1/2-13
CRTBC-24	1 1/2	1 15/16	4 5/8	3 1/2	1 7/8	3 15/16	1 3/16	3/4	1/2-13

EPT does not assume responsibility for the accuracy of this document. The information contained herein is based upon current published data available at the time of creation. For more information contact Applications Engineering at 630-898-9620 or www.emerson-ept.com