

Solutions for the 21st Century and Beyond...

- Custom Engineered Solutions Ready to Ship in Nine Days or Less
- Family of Specialty Grease and Accessories for Mounted Bearings
- Corrosion Resistant Solutions for Extreme Applications
- High Performance Sealing Elements, Controlled Internal Race Geometries and Housing Tolerances
- Lowered Bearing Maintenance

**PERFORMANCE
WITHOUT COMPROMISE**

SEALMASTER

SEALMASTER[®] PERFORMANCE WITHOUT COMPROMISE

SEALMASTER offers unique features tailored to your application needs:

- Custom-assembled solutions ready to ship in nine days or less
- A family of specially formulated lubricants to maximize running performance
- An assortment of seals for protection in a variety of environments

**A family of bearing solutions available when you need them
so you won't have to compromise.**



Ball Bearings
Roller Bearings
Rod Ends and Spherical Bearings
CRES Corrosion Resistant Bearings
GoldPlex™ Greases

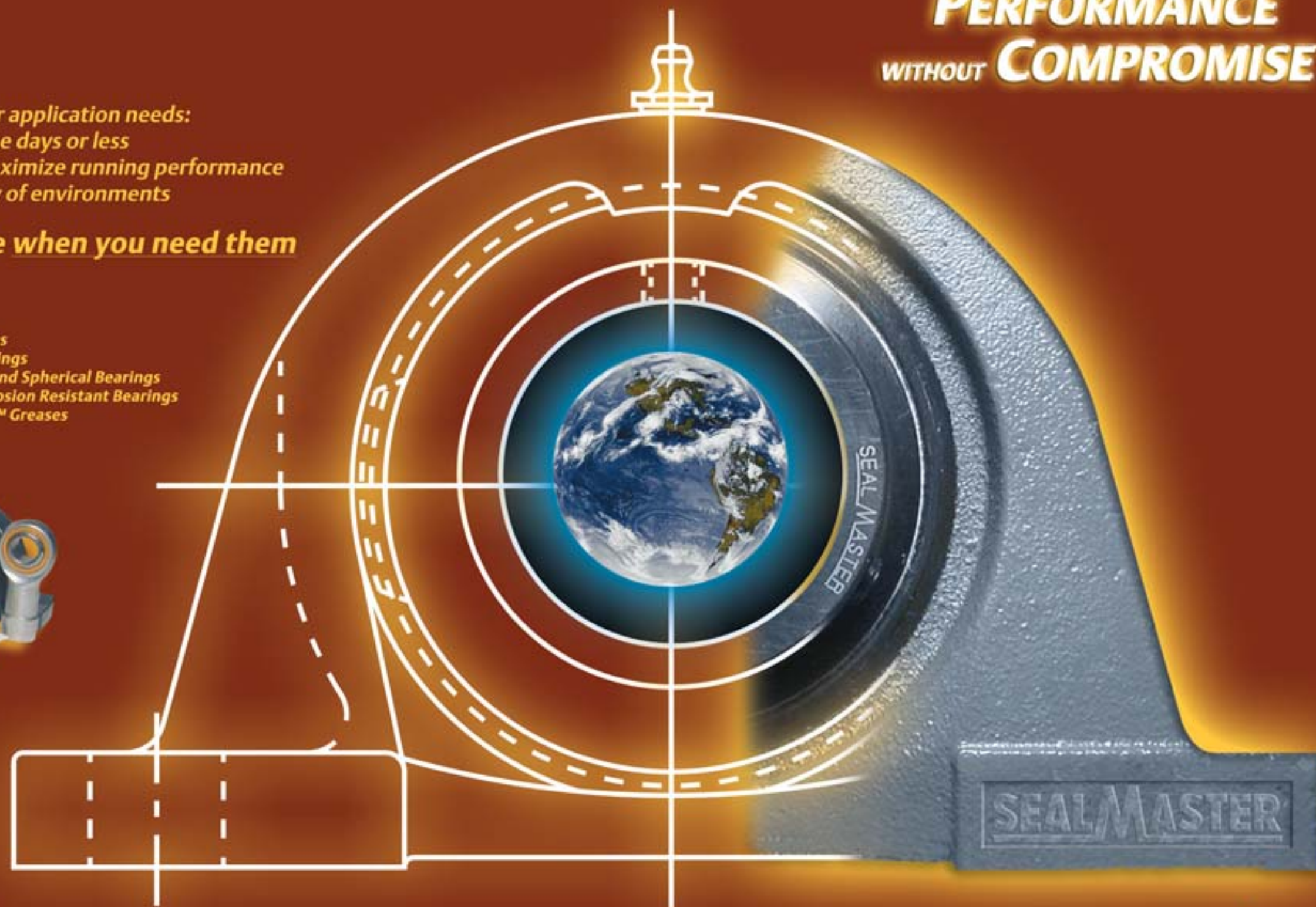
www.emerson-ept.com
Connect here to experience "the power of EPT"

EMERSON POWER TRANSMISSION
620 S. Aurora Street • Ithaca, New York

For additional information contact:
SEALMASTER Application Engineering & Mounted Bearing Technical Services - (630) 898-9620
Emerson Power Transmission Customer Service - (800) 626-2120

SEALMASTER[®]

**PERFORMANCE
WITHOUT COMPROMISE**



Emerson Power
Transmission
www.emerson-ept.com

Form #8875
April 03 - 15,000
Printed in U.S.A.

EMERSON
Industrial Automation

SEALMASTER®

Continuing Innovation... From the Past and into the Future.

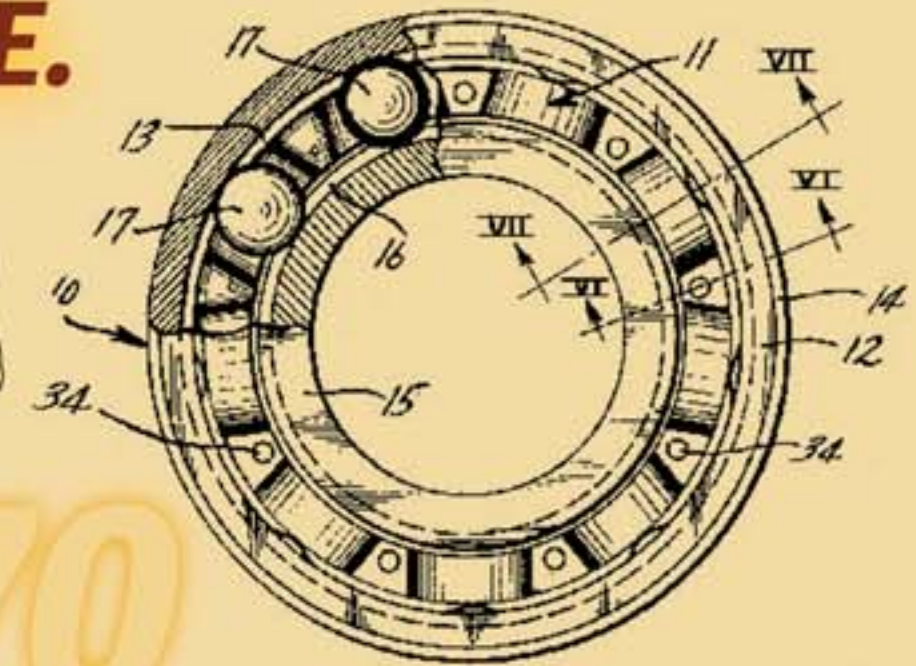
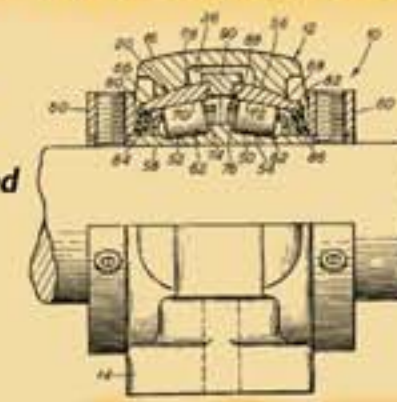
Born out of industrial necessity, SEALMASTER's application-minded solutions have stood as the benchmark for over six decades. A long history of cutting edge innovation and platform advancements have allowed SEALMASTER customers around the world to reduce downtime and improve system uptime reliability.

PERFORMANCE WITHOUT COMPROMISE.

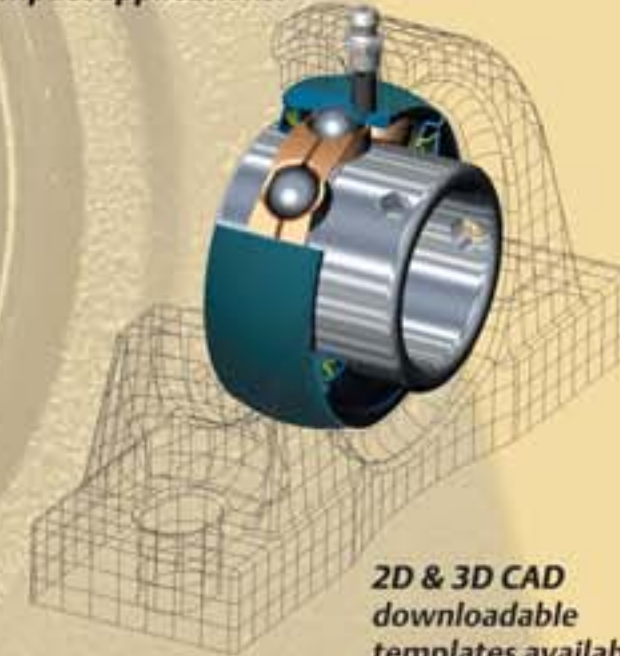


Controlled Geometries
High conforming raceway geometries and controlled internal clearances allow for improved stress distribution and resulting bearing life.

Patent (3,773,397)
SEALMASTER awarded eight U.S. patents for RPB self-aligning tapered roller bearing units.



Patent (6,474,870B1)
Proprietary anti-friction lubricant designed to minimize stick slip and reduce sliding drag, aids in reducing wear from reversing, vibratory & impact applications.

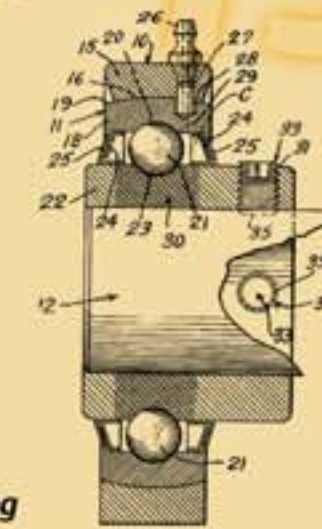
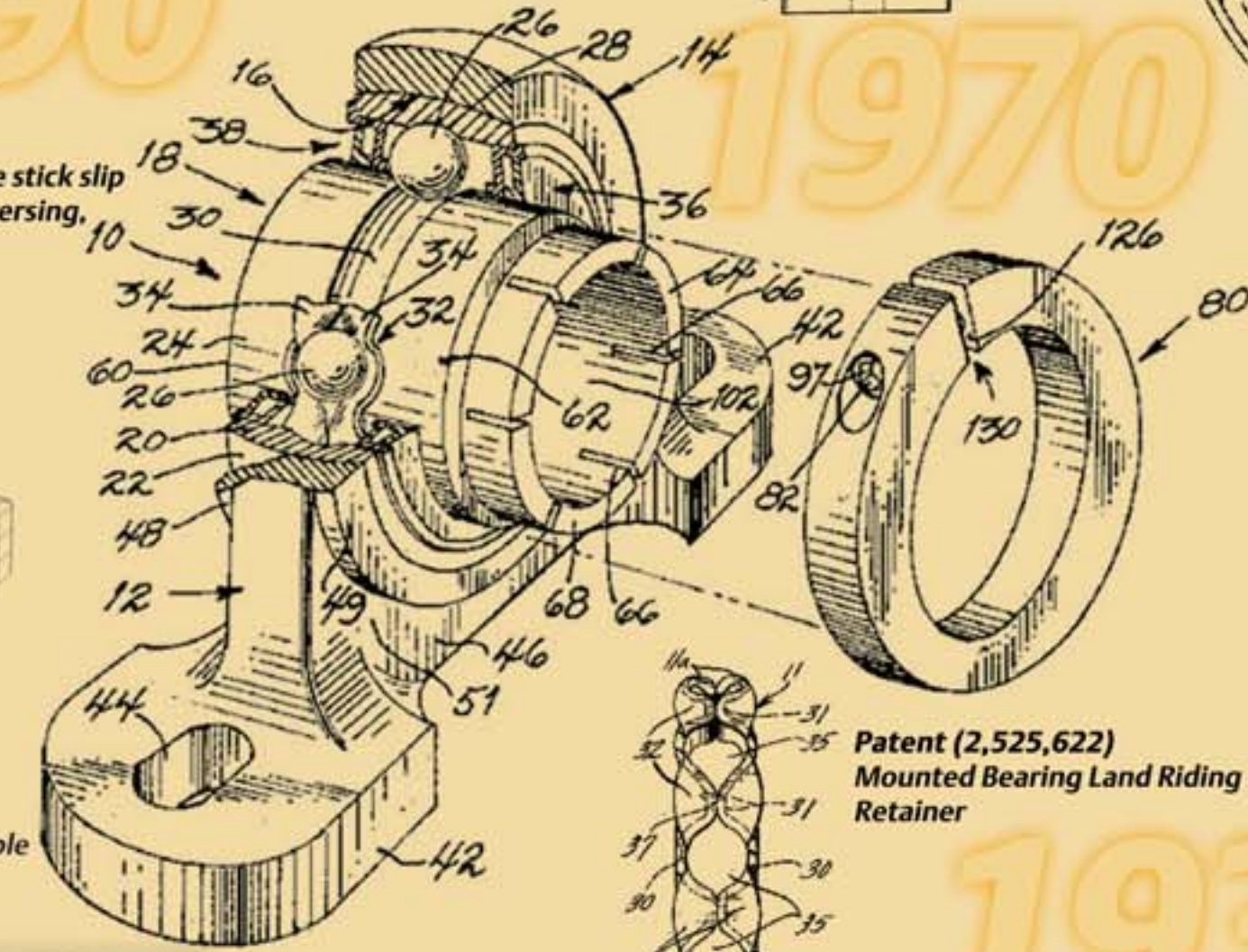


2D & 3D CAD downloadable templates available on-line.

1990

1970

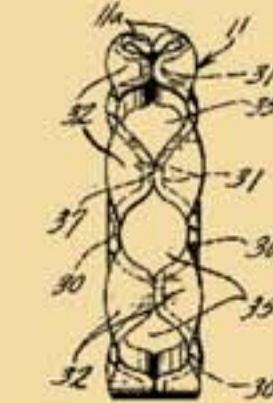
1950



Patent (2,501,100)
Double Set Screw Lock

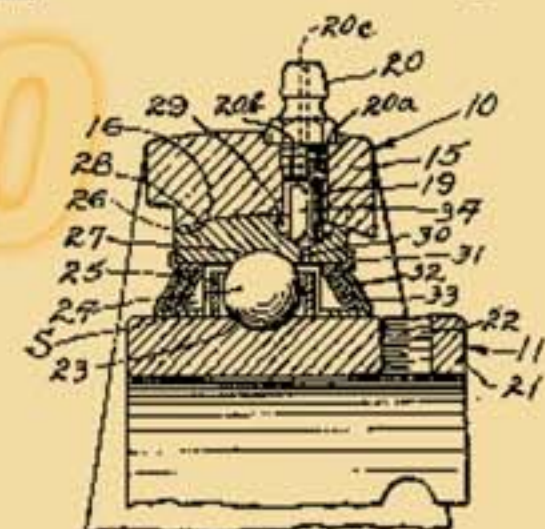
Patent (5,553,337)
Zone Hardening

Patent (2,441,294)
Notched Locking Pin



Patent (2,525,622)
Mounted Bearing Land Riding Retainer

1930



SEALMASTER Bearing... "Born Out of Necessity"
Originally designed for the material handling industry, the SEALMASTER platform was so innovative and robust that it set the foundation for a future company which would evolve into a world-class leader in mounted bearings.

Future

www.emerson-ept.com/SMhistory