

# Solutions for the 21<sup>st</sup> Century and Beyond...

- Custom Engineered Solutions Ready to Ship in Nine Days or Less
- Family of Specialty Grease and Accessories for Mounted Bearings
- Corrosion Resistant Solutions for Extreme Applications
- High Performance Sealing Elements, Controlled Internal Race Geometries and Housing Tolerances
- Lowered Bearing Maintenance

**PERFORMANCE  
WITHOUT COMPROMISE**

## **SEALMASTER<sup>®</sup>** **PERFORMANCE WITHOUT COMPROMISE**

SEALMASTER offers unique features tailored to your application needs:

- Custom-assembled solutions ready to ship in nine days or less
- A family of specially formulated lubricants to maximize running performance
- An assortment of seals for protection in a variety of environments

**A family of bearing solutions available when you need them  
so you won't have to compromise.**



Ball Bearings  
Roller Bearings  
Rod Ends and Spherical Bearings  
CRES Corrosion Resistant Bearings  
GoldPlex™ Greases

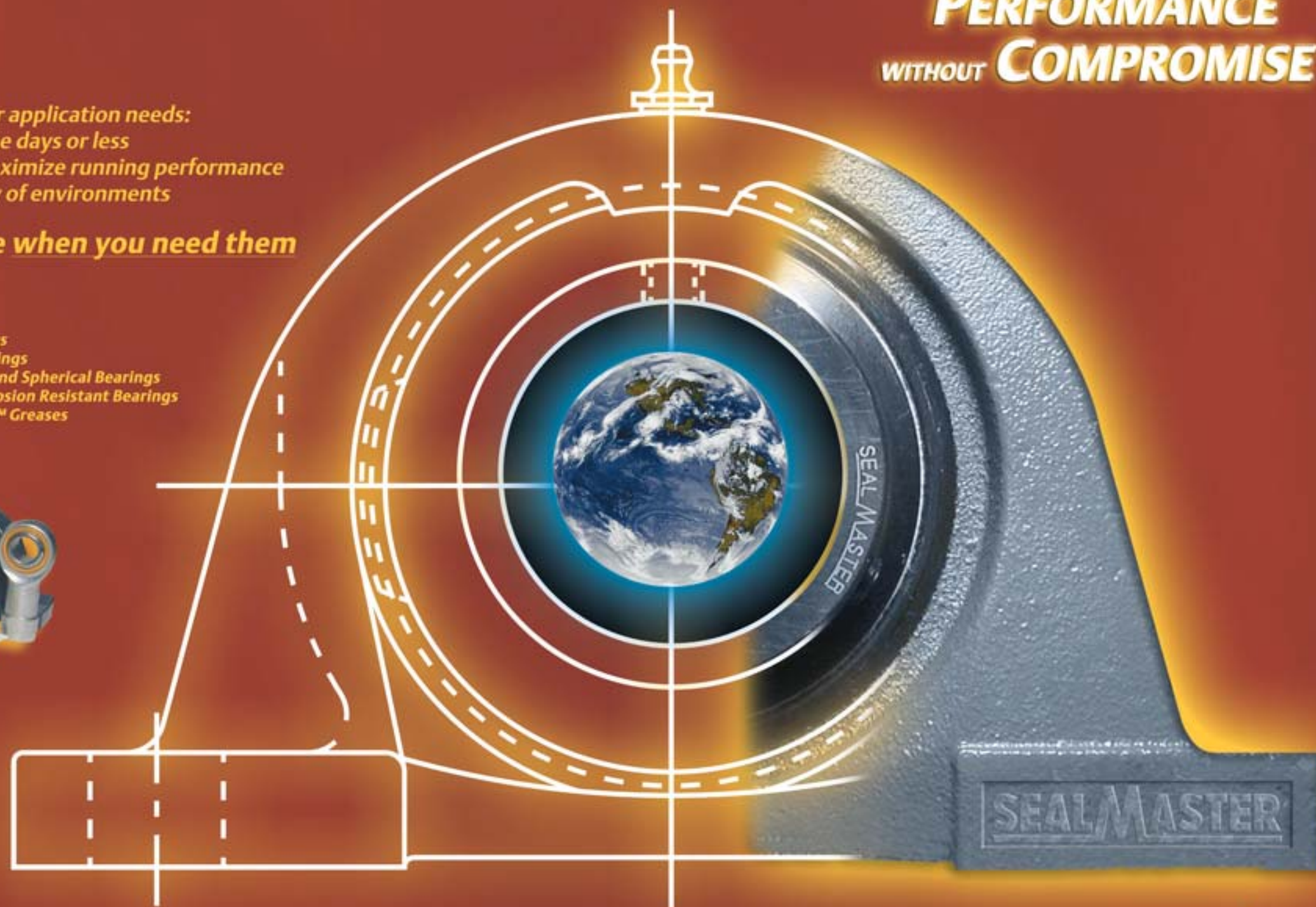
**[www.emerson-ept.com](http://www.emerson-ept.com)**  
Connect here to experience "the power of EPT"

EMERSON POWER TRANSMISSION  
620 S. Aurora Street • Ithaca, New York

For additional information contact:  
SEALMASTER Application Engineering & Mounted Bearing Technical Services - (630) 898-9620  
Emerson Power Transmission Customer Service - (800) 626-2120

## **SEALMASTER<sup>®</sup>**

**PERFORMANCE  
WITHOUT COMPROMISE**



Emerson Power  
Transmission  
[www.emerson-ept.com](http://www.emerson-ept.com)

Form #8825  
April 03 - 15,000  
Printed in U.S.A.

**EMERSON**  
Industrial Automation

# SEALMASTER®

## Continuing Innovation... From the Past and into the Future.

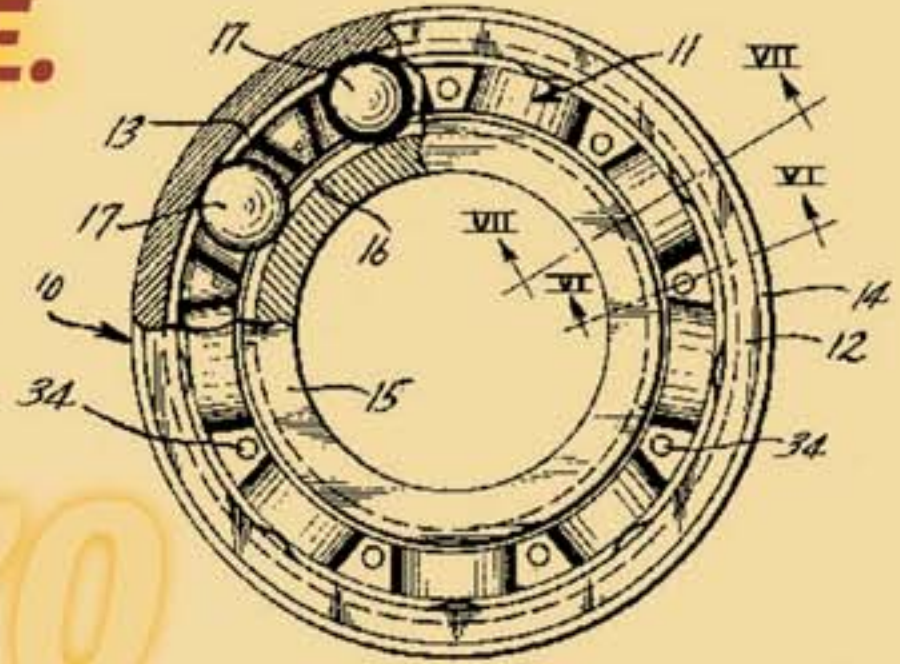
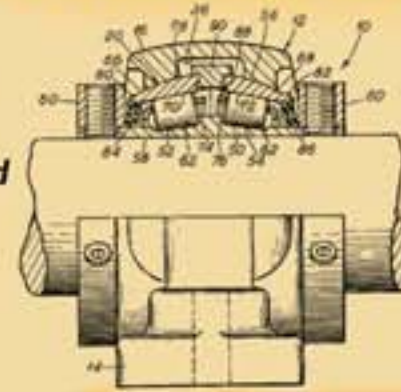
Born out of industrial necessity, SEALMASTER's application-minded solutions have stood as the benchmark for over six decades. A long history of cutting edge innovation and platform advancements have allowed SEALMASTER customers around the world to reduce downtime and improve system uptime reliability.

# PERFORMANCE WITHOUT COMPROMISE.

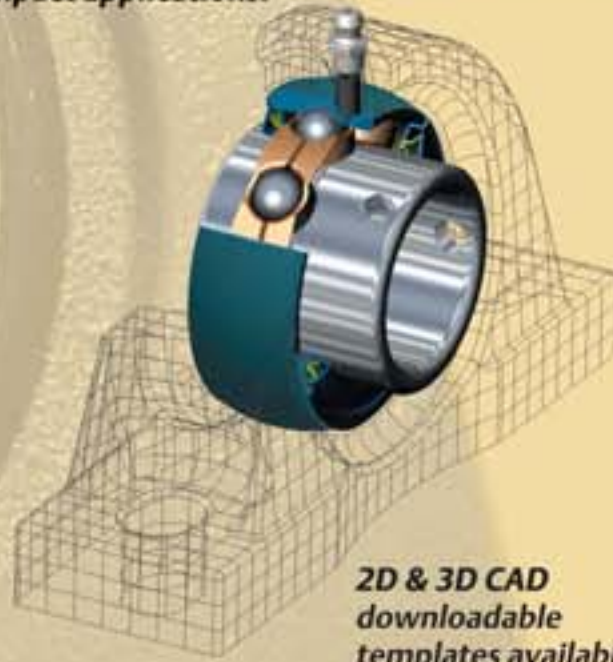


**Controlled Geometries**  
High conforming raceway geometries and controlled internal clearances allow for improved stress distribution and resulting bearing life.

**Patent (3,773,397)**  
SEALMASTER awarded eight U.S. patents for RPB self-aligning tapered roller bearing units.



**Patent (6,474,870B1)**  
Proprietary anti-friction lubricant designed to minimize stick slip and reduce sliding drag, aids in reducing wear from reversing, vibratory & impact applications.

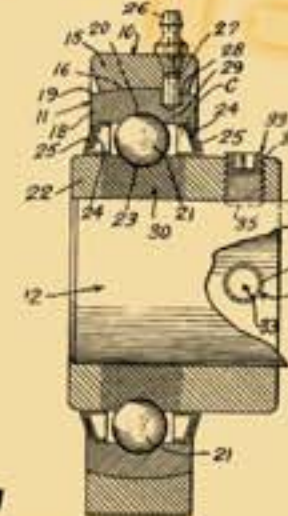
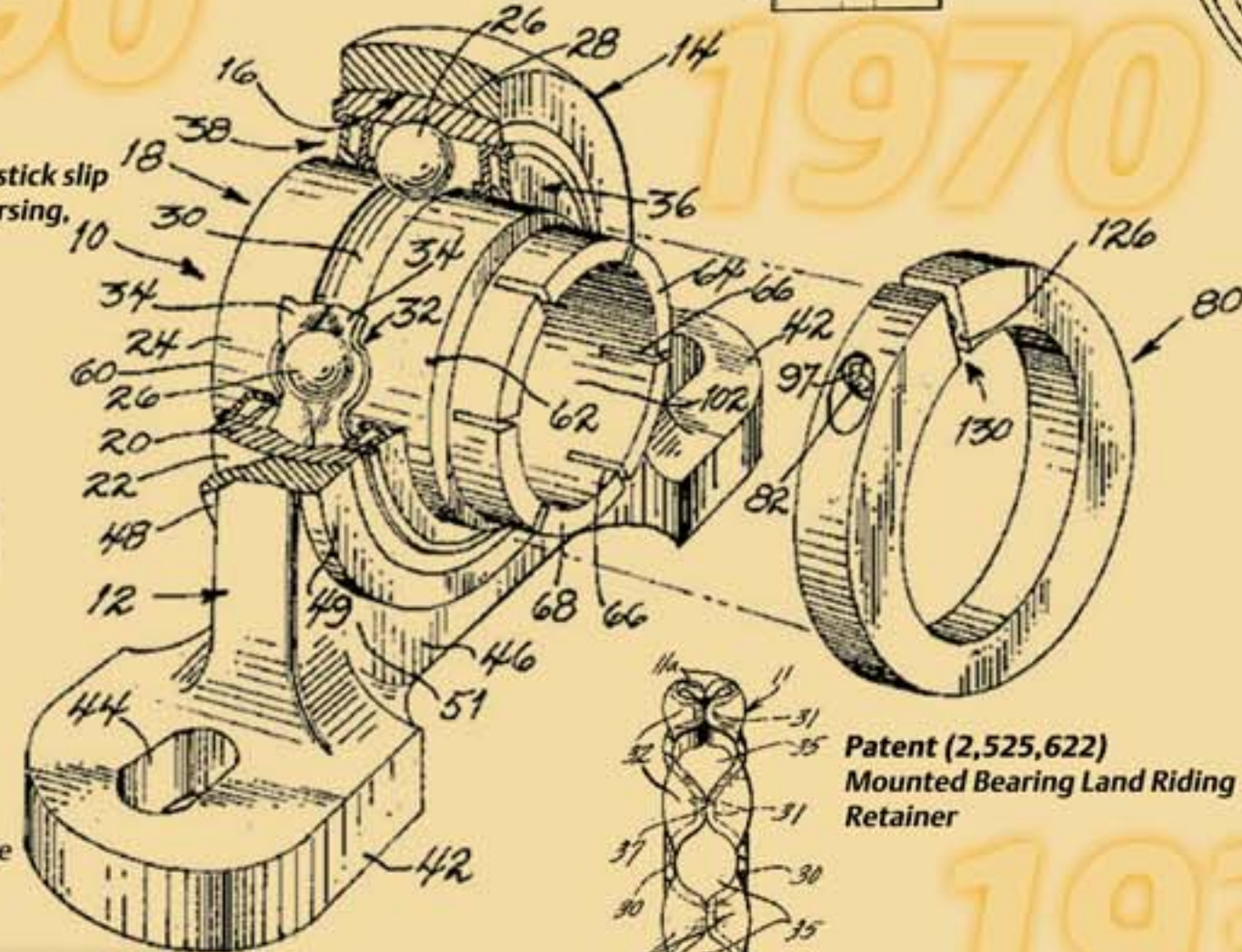


2D & 3D CAD  
downloadable  
templates available  
on-line.

# 1990

# 1970

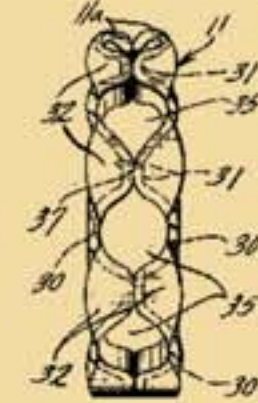
# 1950



**Patent (2,501,100)**  
Double Set Screw Lock

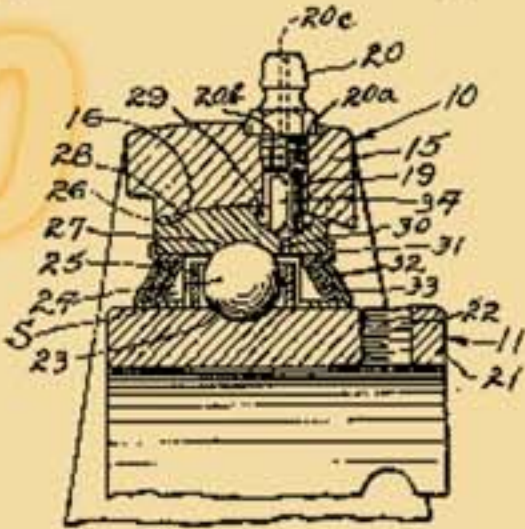
**Patent (5,553,337)**  
Zone Hardening

**Patent (2,441,294)**  
Notched Locking Pin



**Patent (2,525,622)**  
Mounted Bearing Land Riding Retainer

# 1930



**SEALMASTER Bearing... "Born Out of Necessity"**  
Originally designed for the material handling industry, the SEALMASTER platform was so innovative and robust that it set the foundation for a future company which would evolve into a world-class leader in mounted bearings.

# Future

[www.emerson-ept.com/SMhistory](http://www.emerson-ept.com/SMhistory)